

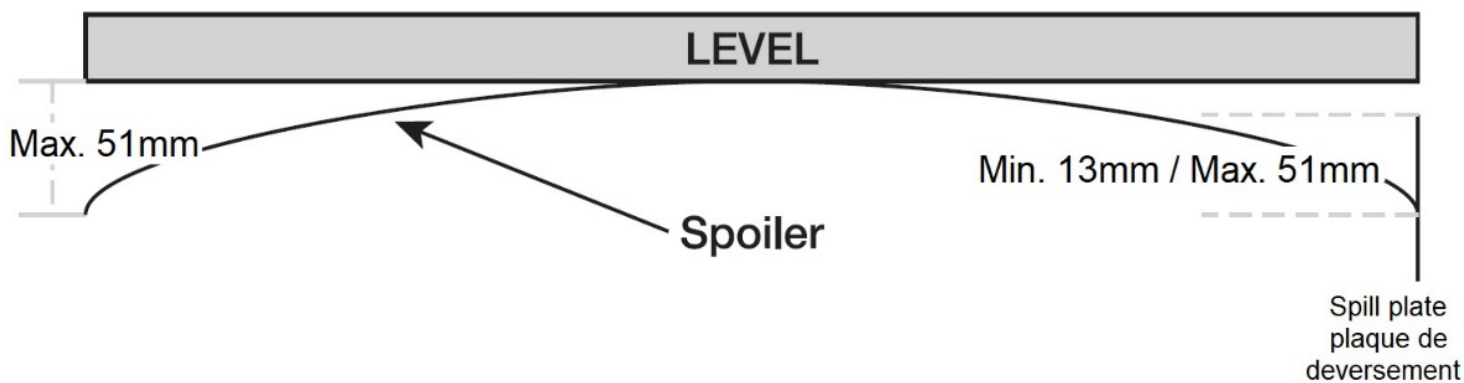


FEDERATION
INTERNATIONALE
DE L'AUTOMOBILE
WWW.FIA.COM

2025

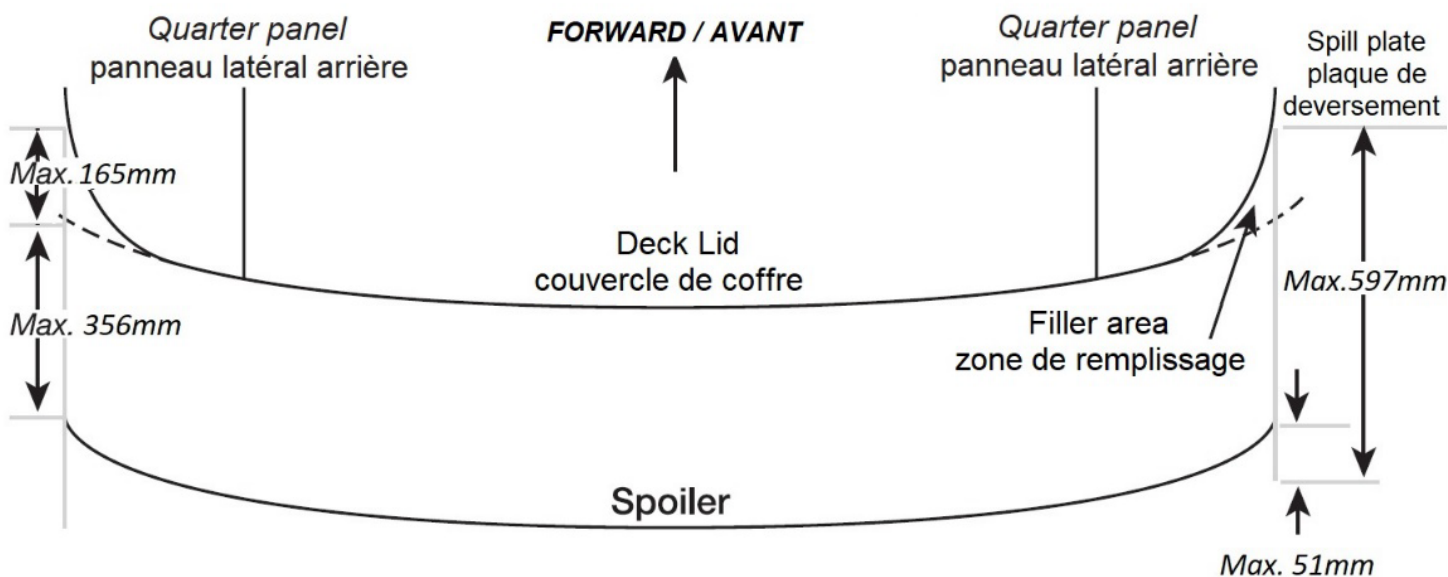
FIA Drag Racing Drawings / Dessins

DRAWING / DESSIN 1



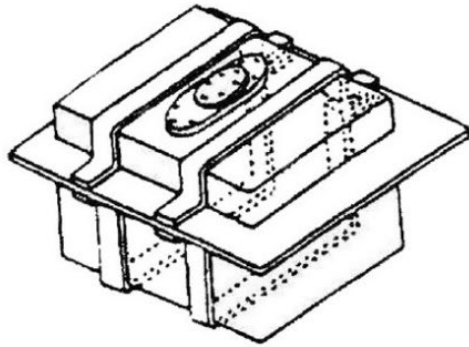
DRAWING / DESSIN 2

TOP VIEW / VUE DE DESSUS



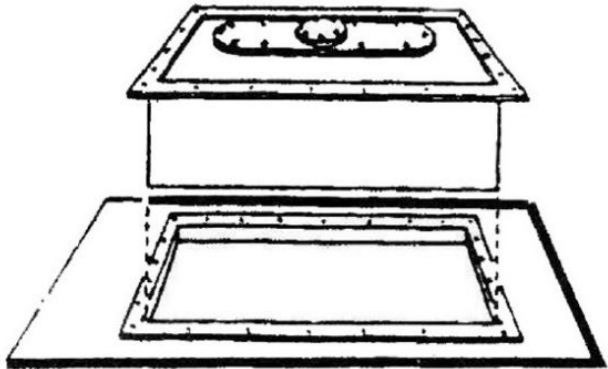
DRAWING / DESSIN 3

TYPICAL FUEL CELL INSTALLATIONS INSTALLATION TYPIQUES DE CELLULES DE CARBURANT



Cells without mounting flanges use 3x25mm straps top and bottom bolted or welded to frame in trunk.

Les cellules sans rebords de montage utilisent sur le dessus et le dessous des bandes de 3x25mm boulonnées ou soudées à la coque dans coffre



Weld 25mm tube frame to Trunk floor to bolt to cell frame.

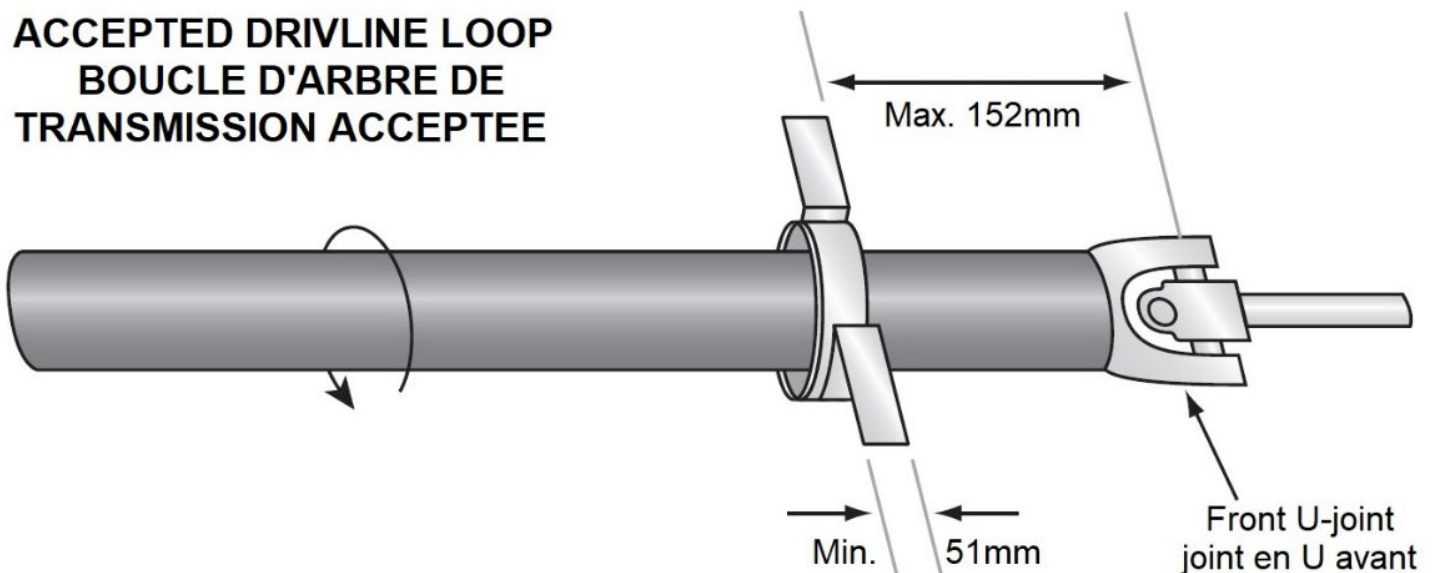
Souder un tube de 25mm au plancher du coffre pour le boulonner sur le cadre de la cellule.

Bottom of fuel cell must be covered with 0,6mm steel or 0,8mm aluminium sheet metal when fuel cell protrudes through floor.

Le fond de la cellule doit être couvert d'une feuille d'acier de 0,6mm ou d'aluminium de 0,8mm si la cellule traverse le plancher.

DRAWING / DESSIN 4

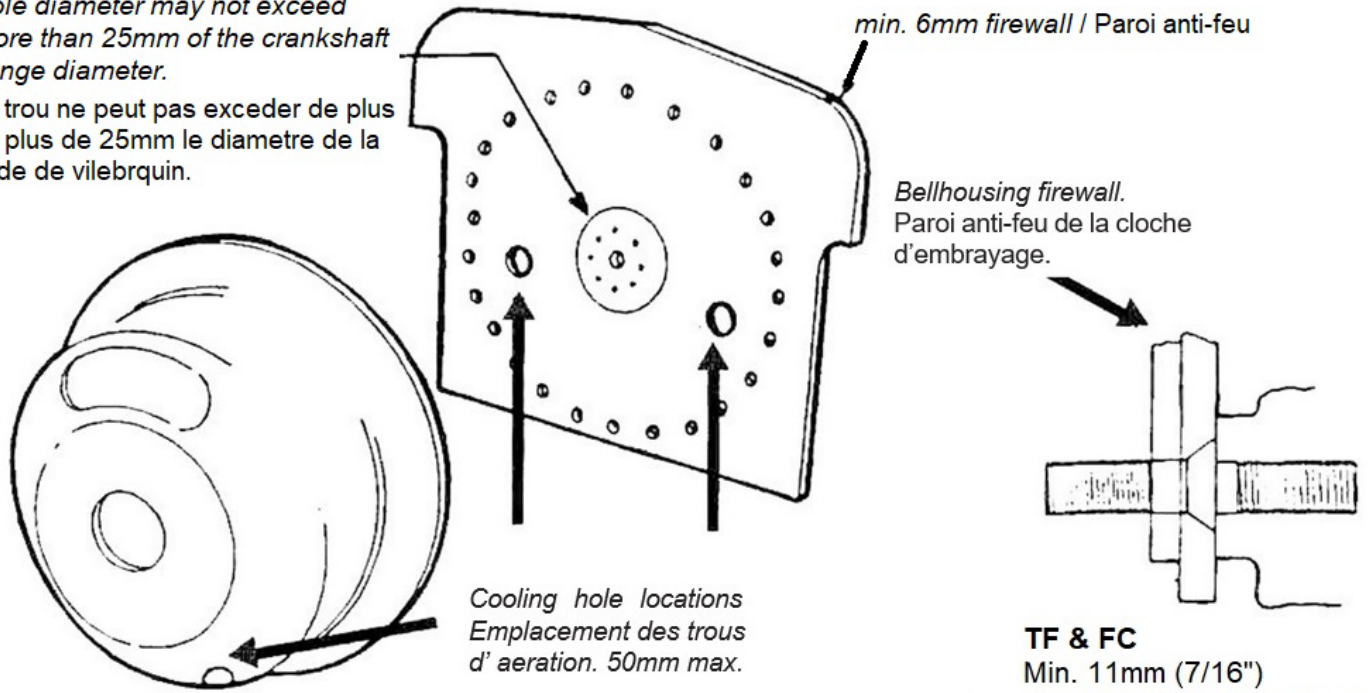
ACCEPTED DRIVELINE LOOP BOUCLE D'ARBRE DE TRANSMISSION ACCEPTÉE



DRAWING / DESSIN 5

Hole diameter may not exceed more than 25mm of the crankshaft flange diameter.

Le trou ne peut pas excéder de plus de plus de 25mm le diamètre de la bride de vilebrquin.



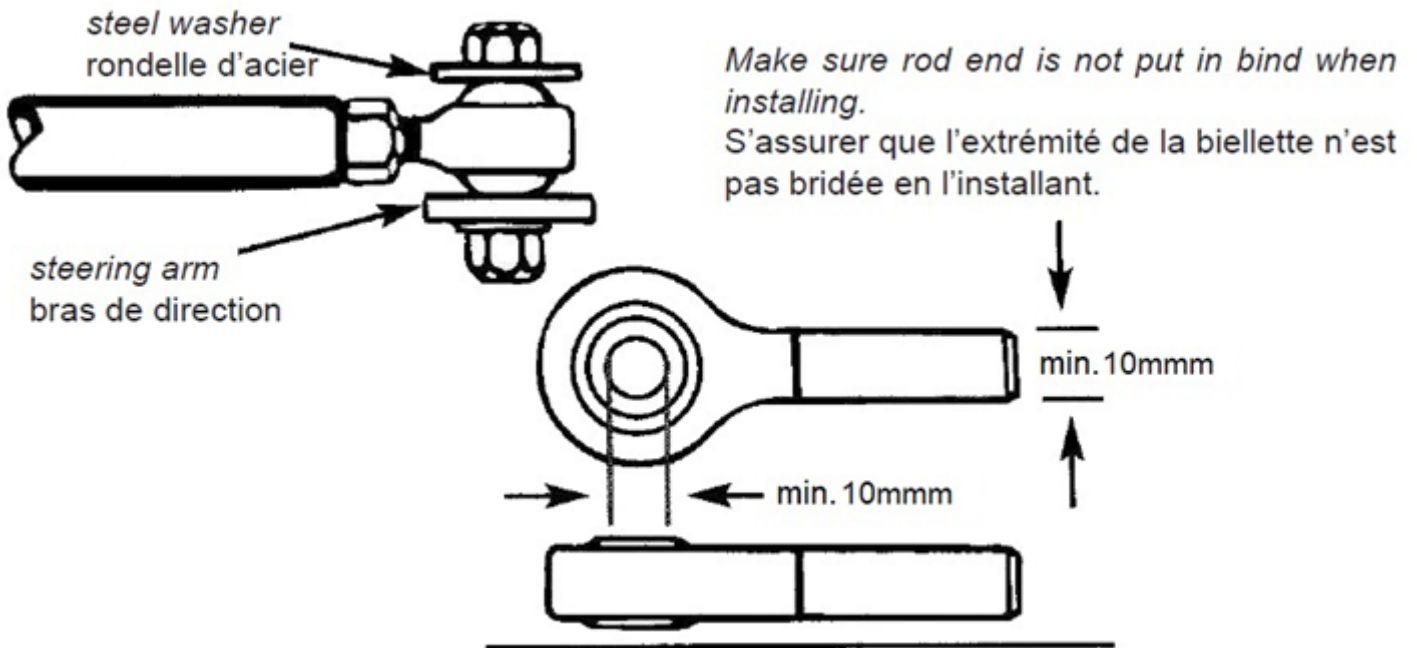
min. 6mm firewall / Paroi anti-feu

Bellhousing firewall.
Paroi anti-feu de la cloche d'embrayage.

Cooling hole locations
Emplacement des trous d'aération. 50mm max.

TF & FC
Min. 11mm (7/16")
shouldered stud countersunk into firewall.
Goujon à épaulement de 11mm (7/16") noyé dans la paroi anti-feu

DRAWING / DESSIN 7



steel washer
rondelle d'acier

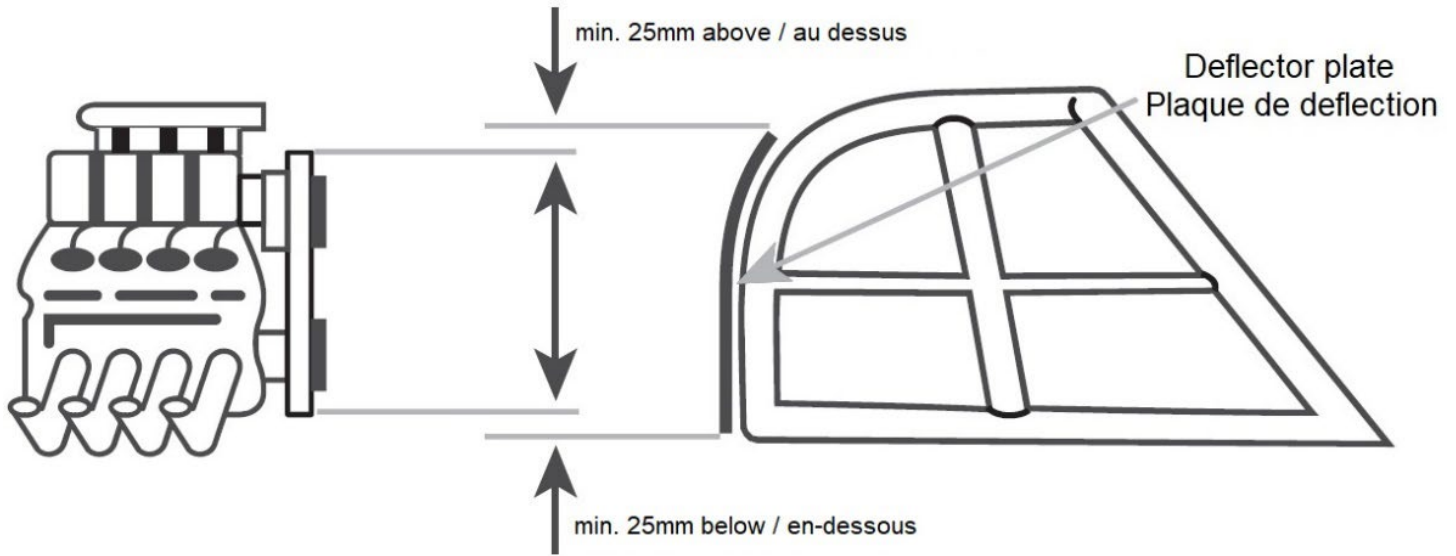
steering arm
bras de direction

Make sure rod end is not put in bind when installing.
S'assurer que l'extrémité de la biellette n'est pas bridée en l'installant.

min. 10mm

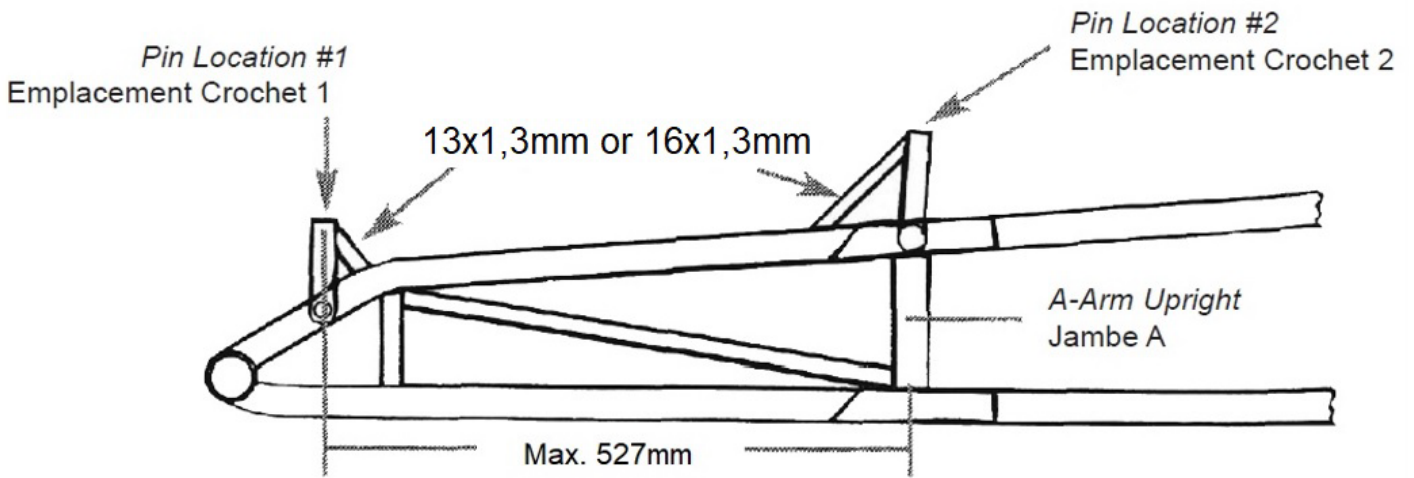
min. 10mm

DRAWING / DESSIN 9

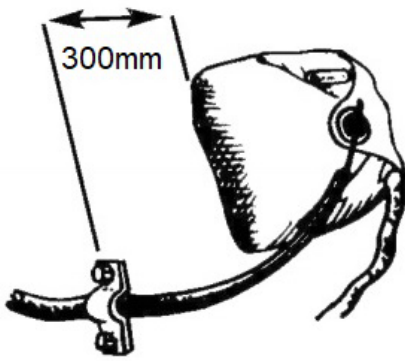


DRAWING / DESSIN 9A

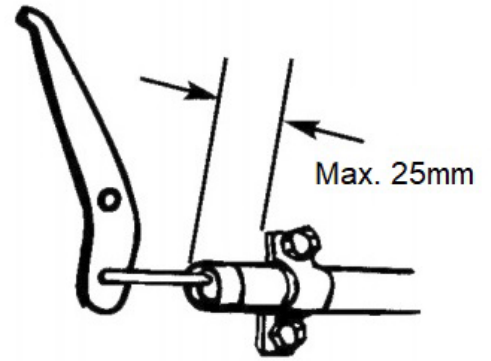
Requires a 16mm - Diameter Pin



DRAWING / DESSIN 10

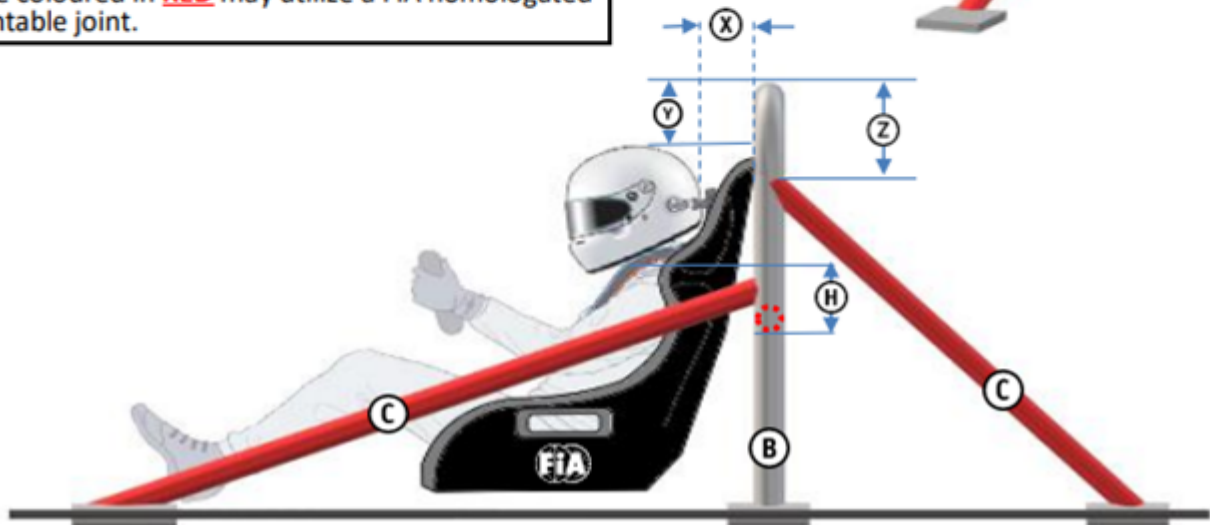
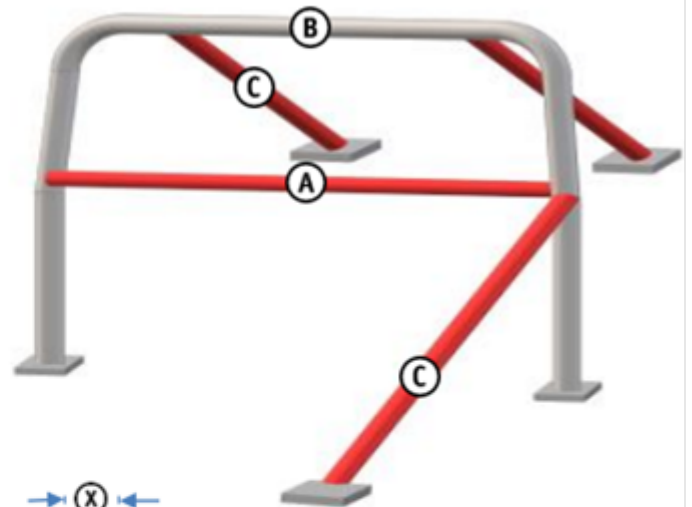


DRAWING / DESSIN 11



DRAWING / DESSIN 12

ROLL BAR TUBING REQUIREMENTS			
Tube	Outside diameter	Wall thickness	
	All Materials	Mild Steel	Chrome Moly & Docol R8
(A)	32mm	3mm	1.65mm
(B) & (C)	44.45mm		2.11mm
All above measurements are minimum requirements.			
(H)	Max. distance between top of shoulders and cross bar = 102mm.		
(X)	Max. distance between rear and/or side of Helmet and Roll Bar Main Hoop = 152mm		
(Y)	Min. distance between top of Helmet and top of Roll Bar Main Hoop = 75mm		
(Z)	Max. distance between top of Roll Bar Main Hoop and rear brace connection = 127mm		
Any tube coloured in RED may utilize a FIA homologated dismountable joint.			



DRAWING / DESSIN 13

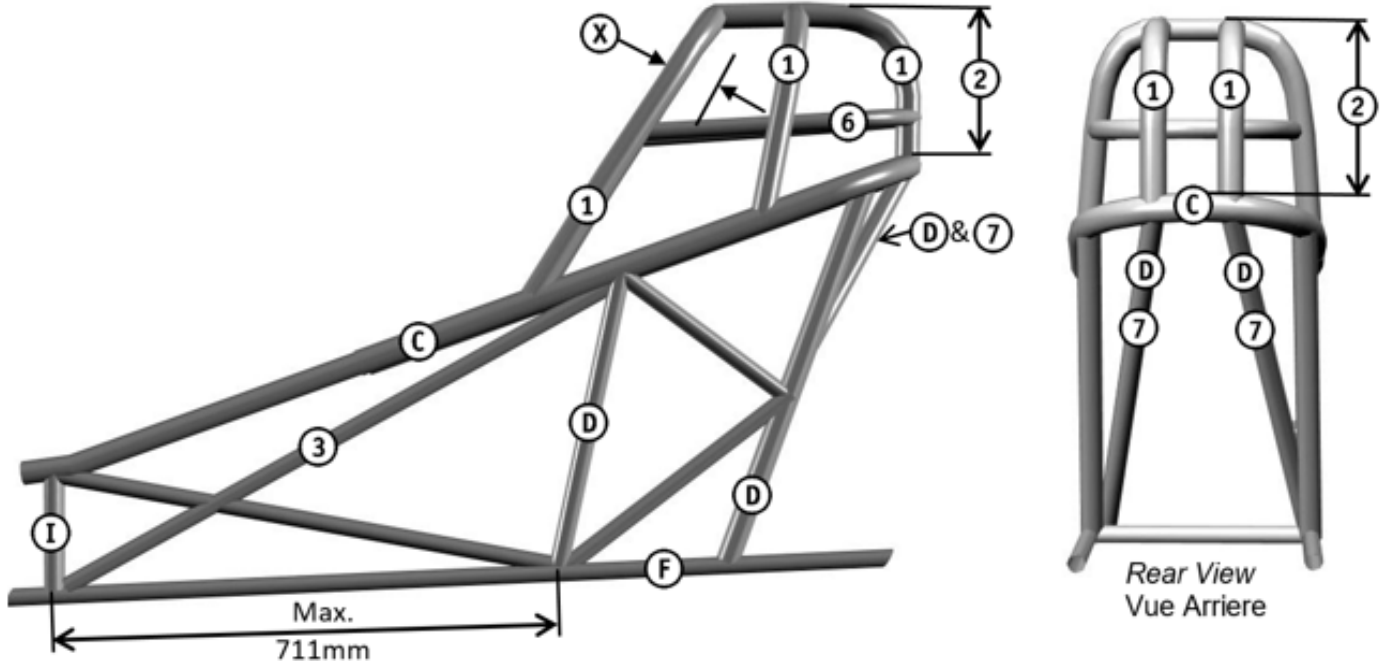
ALTEREDS, FUNNY CARS

8.50 seconds E.T. and slower - E.T. de 8,50 secondes ou plus

(tubing dim. according to table 1) - (dim. des tubes selon tableau 1)

All dimensions apply to driver compartment only.

Toutes les dimensions se rapportent à l'habitacle uniquement.



DRAWING / DESSIN 14

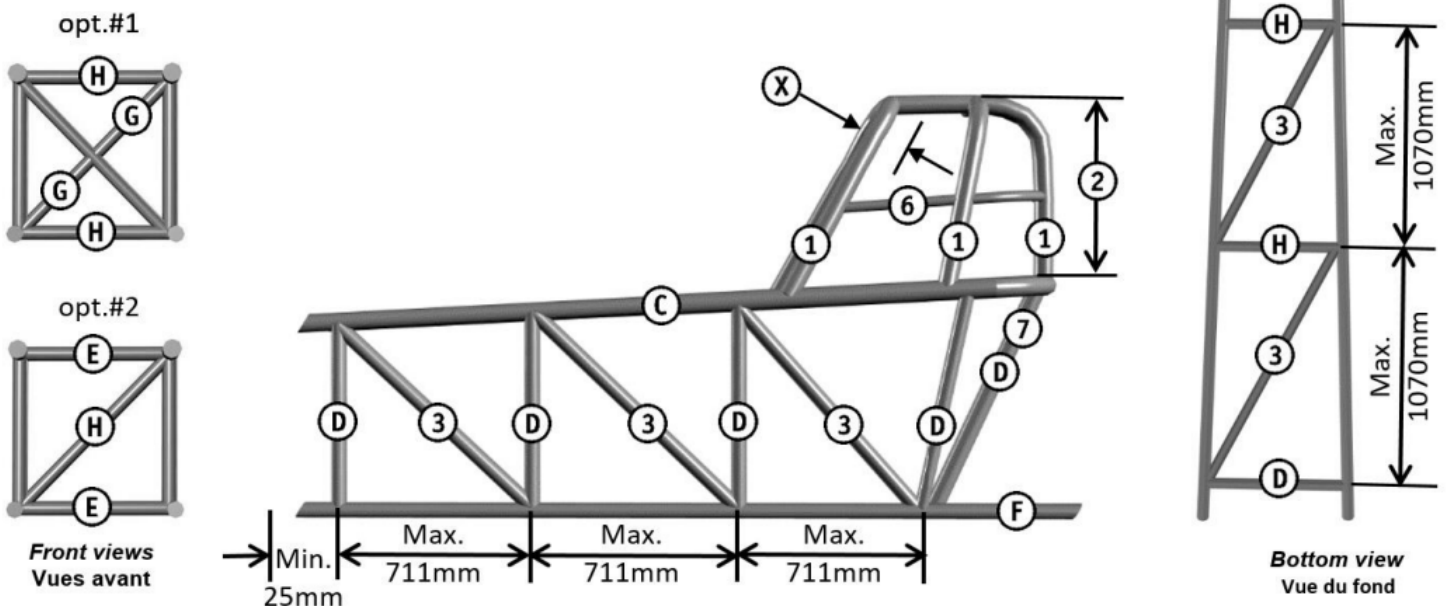
REAR ENGINE DRAGSTER - DRAGSTER A MOTEUR ARRIERE

8.50 seconds E.T. and slower - E.T. de 8,50 secondes ou plus

(tubing dim. according to table 1) - (dim. des tubes selon tableau 1)

All dimensions apply to driver compartment only.

Toutes les dimensions se rapportent à l'habitacle uniquement.

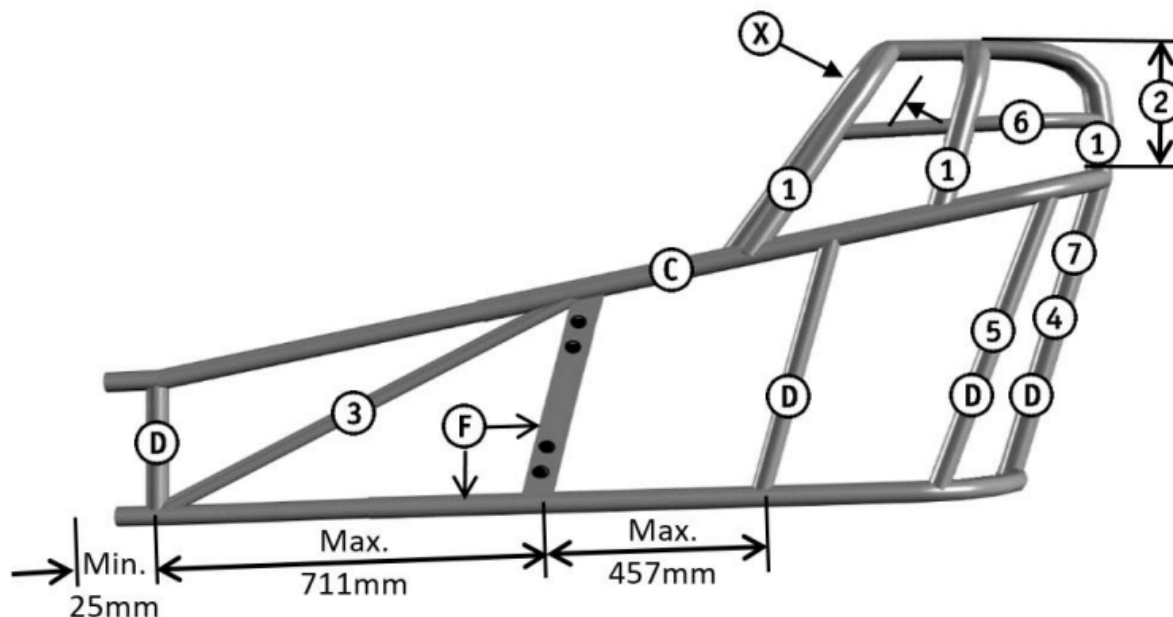


DRAWING / DESSIN 15

FRONT ENGINE DRAGSTERS - DRAGSTERS A MOTEUR AVANT

8.50 seconds E.T. and slower - E.T. de 8,50 secondes ou plus

(tubing dim. according to table 1) - (dim. des tubes selon tableau 1)



Notes regarding Numbers / Letters in Drawings 13, 14 and 15
Notes relatives aux numéros / lettres dans les Dessins 13, 14 et 15

- #1** Rear engine Dragster, with 5 or 6-point roll-cage must use tubing code A for roll-cage.
 Funny Cars, Alters and Front Engine Dragster with 6-point roll-cage, must use tubing code A for roll-cage.
 Funny Cars, Alters and Front Engine Dragster with 5-point roll-cage, must use tubing code B for roll-cage and tubing code A-1 for upper frame rail.
 Pour les dragsters à moteur arrière, avec une cage de sécurité à 5 ou 6 points d'attache, le code des tubes A doit être utilisé pour la cage de sécurité. Pour les Funny Cars, Alters et dragsters à moteur avant, avec une cage de sécurité à 6 points d'attache, le code des tubes A doit être utilisé pour la cage de sécurité. Pour les Funny Cars, Alters et dragsters à moteur avant, avec une cage de sécurité à 5 points d'attache, le code des tubes B doit être utilisé pour la cage de sécurité et le code A-1 pour les longerons supérieurs.
- #2** If measurement 2 is > 457mm tubing code A becomes B, and tubing code C becomes A-1.
 Si la mesure 2 est > 457 mm, le code des tubes A devient B et le code des tubes C devient A-1.
- #3** If 3 is X or K design than tubing code E-1 can be used, otherwise tubing code E is mandatory.
 Si 3 est de conception X ou K, le code des tubes E-1 peut être utilisé, sinon le code E est obligatoire.
- #4** If lower frame rail tube transitions into the back brace uprights, then there must be a cross member tube code D1 between the back brace uprights, situated 127mm to 254mm above lower frame rails.
 Si le tube du longeron inférieur passe dans les montants du support du dossier, il doit y avoir une entretoise de code D1 entre les montants du support du dossier, située entre 127 et 254 mm au-dessus des longerons inférieurs.
- #5** Kidney upright.
 Montant situé dans la zone des reins.
- #6** Helmet bars, mandatory in all vehicles, min. tubing code H.
 Barres de casque, obligatoires dans tous les véhicules, code des tubes H min.
- #7** If back brace upright tube 7 is a single tube, then tube 7 must meet tube code D, otherwise tube code D1 is sufficient.
 Si le tube 7 du montant du support du dossier est un tube unique, le tube 7 doit être conforme au code D, autrement le code D1 est suffisant.
- (X)** Helmet must be min.75mm behind front roll-cage bar
 Le casque doit se trouver au min. 75 mm derrière la barre avant de la cage de sécurité.

TABLE 1 - TUBING CODE / TABLEAU 1 - CODE DES TUBES

	Outside diameter Diamètre extérieur	Wall thickness (Chrome Moly 4130 / Docol R8) Epaisseur (Chrome Molybdène 4130 / Docol R8)	Wall thickness (Mild Steel) Epaisseur (Acier doux)
A	38mm	1.7mm	3mm
A-1	38mm	1.5mm	3mm
B	41mm	1.7mm	3mm
C	35mm	1.5mm	3mm
D	32mm	1.5mm	3mm
	29mm	1.7mm	3mm
D-1	26mm	1.2mm	3mm
E	19mm	1.5mm	3mm
	25mm	1.2mm	3mm
E-1	16mm	1.5mm	3mm
F	32mm	1.5mm	3mm
	35mm	1.2mm	3mm
G	16mm	1.5mm	3mm
H	25mm	1.5mm	3mm
I	32mm	1.2mm	3mm

All measurements are minimum requirements.

Toutes les mesures sont des exigences minimales.

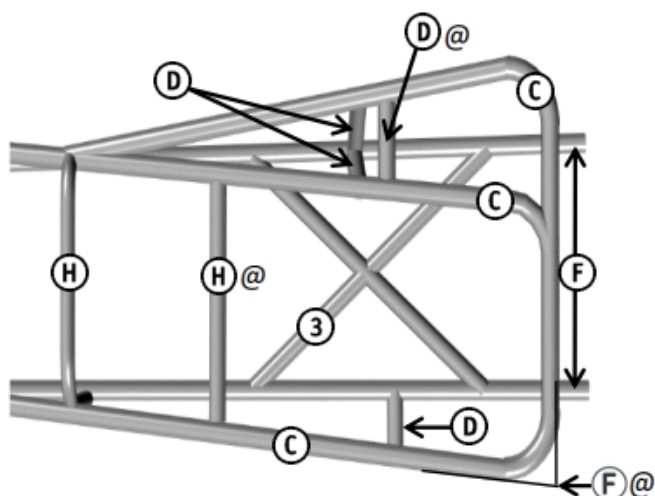


DRAWING / DESSIN 16

ET – STREET ROADSTER

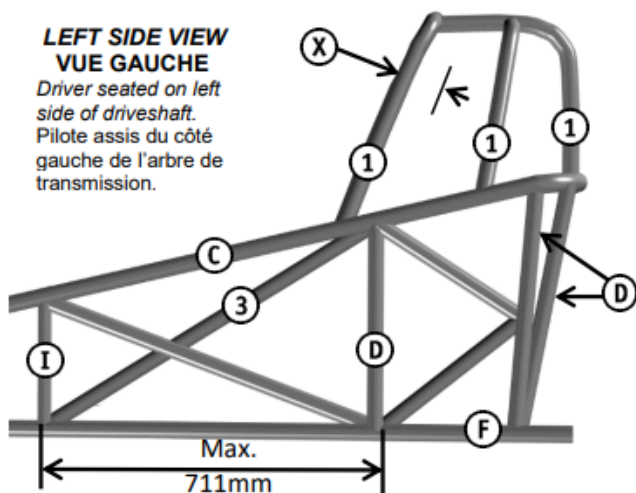
8.50 seconds E.T. and slower - E.T. de 8,50 secondes ou plus

Top view from above (roll cage removed from drawing for clarity) Vue de dessus (arceau retiré pour clarté du dessin)



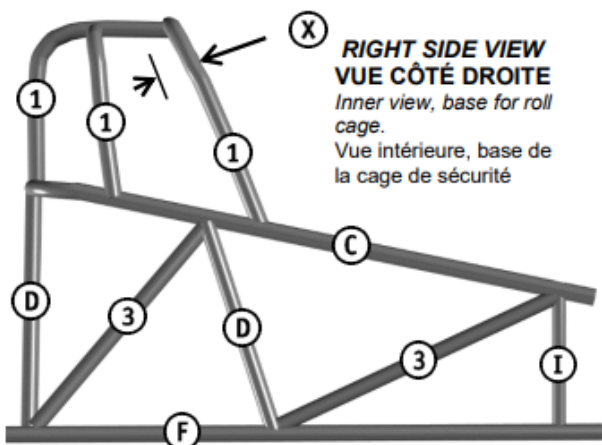
LEFT SIDE VIEW VUE GAUCHE

Driver seated on left side of driveshaft.
Pilote assis du côté gauche de l'arbre de transmission.



RIGHT SIDE VIEW VUE CÔTÉ DROITE

Inner view, base for roll cage.
Vue intérieure, base de la cage de sécurité

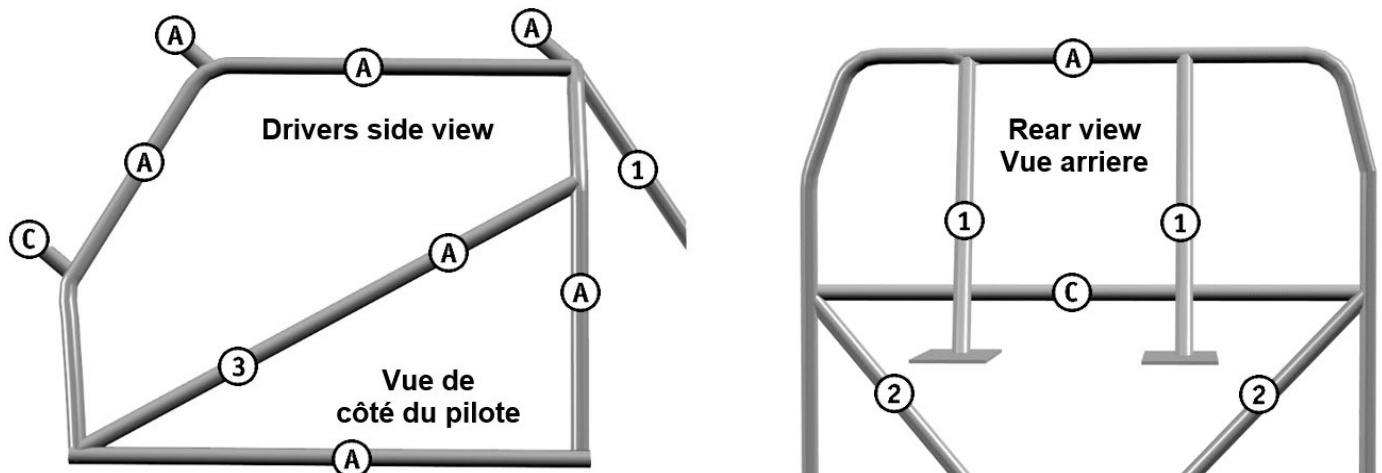


When this design is used for the inner structure, adjacent to the driver, then the outer structure has no minimum requirements.
Lorsque cette conception est utilisée pour la structure interne, adjacente au pilote, la structure extérieure n'est soumise à aucune exigence minimale.

Notes regarding Numbers/Letters in Drawing 16

Notes relatives aux numéros/lettres dans le Dessin 16

- ① - Roll-cage hoop, 6-point attachment min. 42x1,5mm.
Arceau de sécurité, 6 points d'attache min. 42x1,5mm.
- Ⓒ - Upper frame tube, min. 38x1,5mm
If tube code A is used for upper tube C, lower frame tube F and uprights D, this eliminates the need for inner frame diagonals #3 along outer frame but #3 uprights are still mandatory.
Tube du cadre supérieur, min. 38x1,5 mm
Si le code A est utilisé pour le tube supérieur C, le tube du cadre inférieur F et les montants D, les diagonales #3 du cadre intérieur le long du cadre extérieur ne sont plus nécessaires mais les montants #3 demeurent obligatoires.
- Ⓓ - Uprights min. 32mmx1,5mm or 29x1,7mm
Montants min. 32mmx1,5 mm ou 29x1,7mm
- ③ - Single Diagonal min. 19x1,5mm
X or K Design min. 16x1,5mm
Diagonale unique min. 19x1,5mm
Conception X ou K min. 16x1,5mm
- Ⓕ - Lower frame 32x1,5mm or 35x1,2mm
Cadre inférieur 32x1,5 mm ou 35x1,2mm
- Ⓘ - Foot upright 32x1,2mm
Montant à la hauteur des pieds 32x1,2mm
- Ⓕ@ - Lower frame needs extension on left side when driver seat is overhanging lower frame rail F.
Cadre inférieur: une extension est nécessaire côté gauche si le siège du pilote est en porte-à-faux par rapport au rail du cadre inférieur.
- Ⓓ@ - Horizontal, 32x1,5mm used to tie inner and outer upper frame, only if no other support exists.
Horizontal, 32x1,5mm, utilisé pour relier les cadres supérieurs.
- Ⓕ - Foot box support 25x1,5mm
Support de pédalier 25x1,5mm
- Ⓕ@ - Retention for drivers legs, also can be a dash mount 25x1,5mm.
Retenue des jambes du pilote. Peut aussi être un support de tableau de bord 25x1,5mm.
- ⓧ - Helmet must be min. 75mm behind front roll-cage bar.
Le casque doit se trouver au min. 75mm derrière la barre avant de la cage de sécurité.

DRAWING / DESSIN 17**FULL-BODIED CARS - VOITURES A CARROSSERIE COMPLETE****8.50 seconds E.T. and slower - E.T. de 8,50 secondes ou plus** (tubing dim. according to table 2) - (dim. des tubes selon tableau 2)Notes regarding Numbers / Letters in Drawing 17 - Notes relatives aux numéros / lettres dans le Dessin 17**#1 - If tube ① complies with tube code A, then two bars any length permitted.**

If tube ① complies with tube code B-1, then two bars of max.760mm must attach within 127mm from top of the main hoop.

If tube ① complies with tube code B-2, then minimum four bars are mandatory and at least 2 of those bars must attach to the horizontal portion of the main hoop.

If tube ① complies with tube code B-3, then minimum six bars are mandatory and at least 2 of those bars must attach to the horizontal portion of main hoop.

Si le tube ① est conforme au code A, deux barres sont autorisées, leur longueur est libre.

Si le tube ① est conforme au code B-1, deux barres de 760 mm max. doivent être attachées à une distance maximale de 127mm du dessus de l'arceau principal.

Si le tube ① est conforme au code B-2, quatre barres au minimum sont obligatoires et au moins 2 de ces barres doivent être attachées à la partie horizontale de l'arceau principal.

Si le tube ① est conforme au code B-3, six barres au minimum sont obligatoires et au moins 2 de ces barres doivent être attachées à la partie horizontale de l'arceau principal.

#2 - Tubes ② are mandatory if the main hoop is welded to plates on the floor (no lower frame tube existing).

They must be connected to the sub frame and must comply to tube code D.

Les tubes ② sont obligatoires si l'arceau principal est soudé à des plaques sur le plancher (pas de tube pour le cadre inférieur). Ils doivent être connectés au berceau et doivent être conformes au code D.

#3 - Tube ③ may be substituted by an «X» brace meeting tube code E.

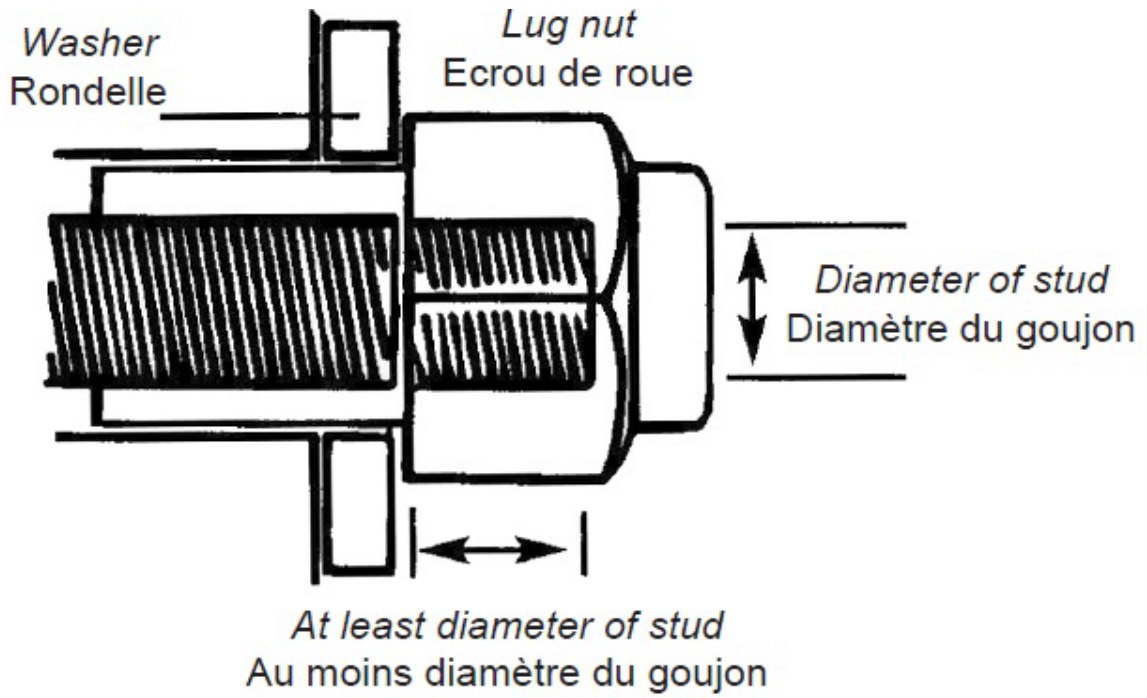
Le tube ③ peut être remplacé par un support en «X» conforme au code E.

TABLE 2 - TUBING CODE / TABLEAU 2 - CODE DES TUBES

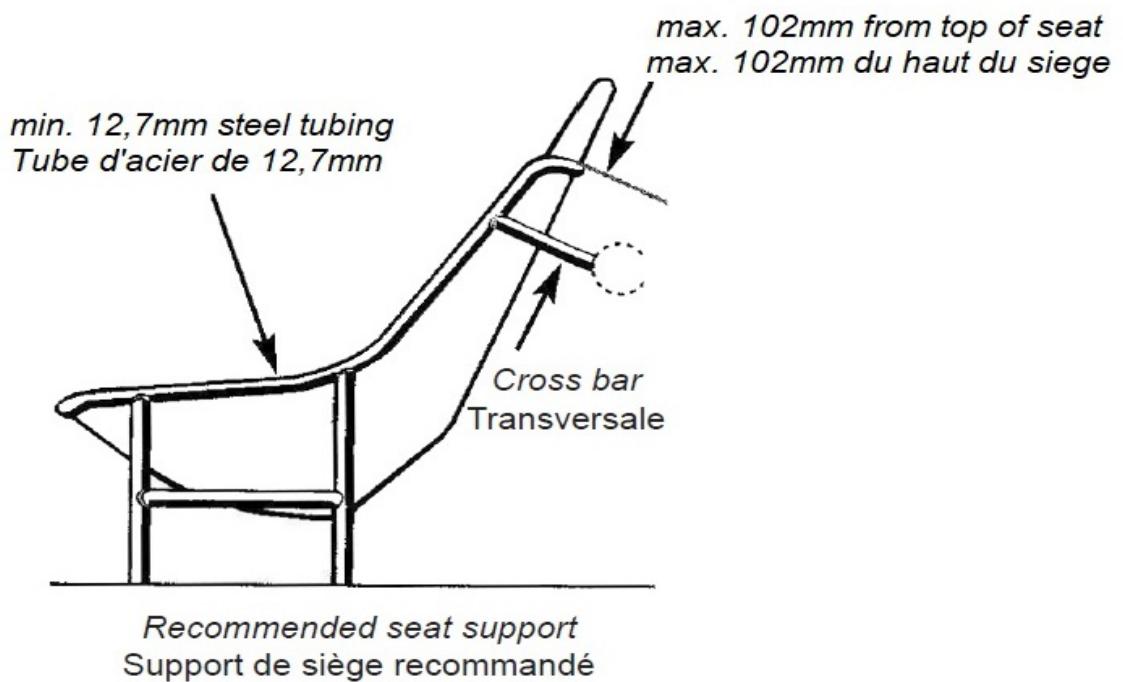
	Outside diameter Diamètre extérieur	Wall thickness (Chrome moly 4130 / Docol R8) Epaisseur (Chrome molybdène 4130 / Docol R8)	Wall thickness (Mild Steel) Epaisseur (Acier doux)
A	41mm	2,1mm	3mm
B-1	38mm	1,5mm	3mm
B-2	35mm	1,2mm	3mm
B-3	32mm	1,2mm	3mm
C	32mm	1,7mm	3mm
D	32mm	1,5mm	3mm
E	38mm	1,7mm	3mm

All measurements are minimum requirements. Toutes les mesures sont des exigences minimales.

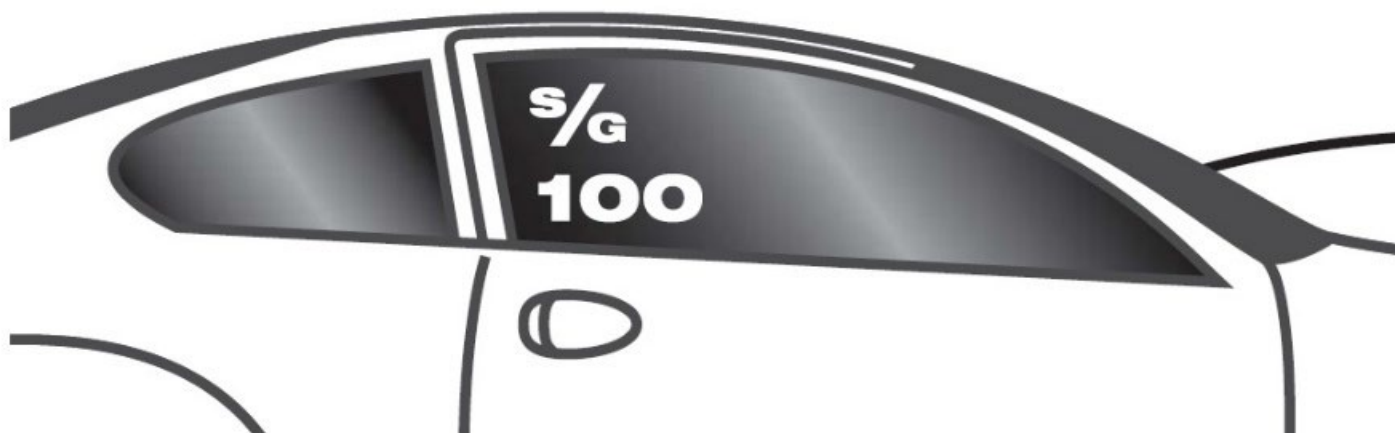
DRAWING / DESSIN 18



DRAWING / DESSIN 19

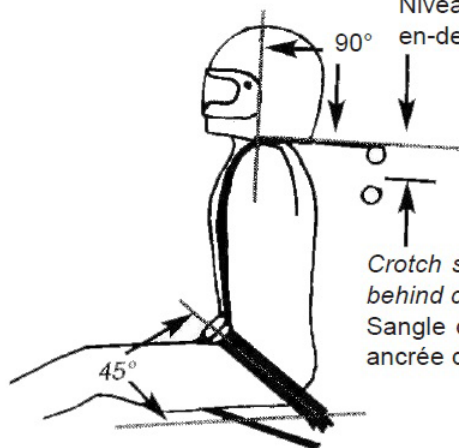


DRAWING / DESSIN 20



DRAWING / DESSIN 21

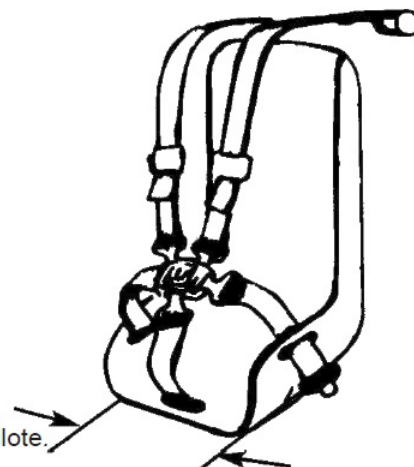
Mount level with shoulders to 102mm below.
Niveau de montage avec les épaules de 102mm
en-dessous.



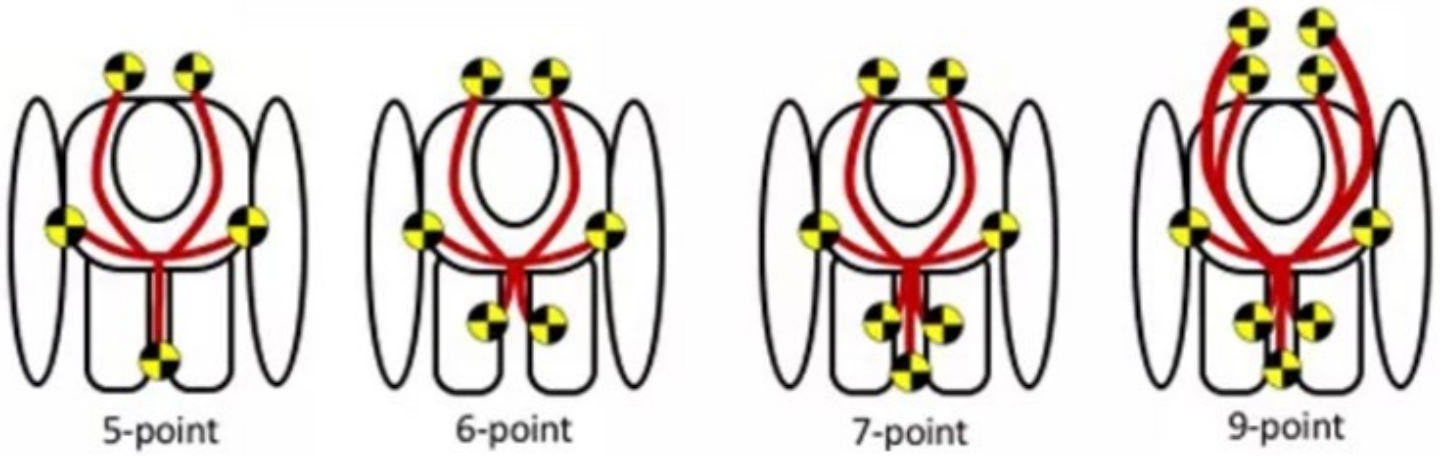
Crotch strap to go through seat and anchor
behind chest line.
Sangle d'entrejambe au travers du siège et
ancrée derrière la ligne de poitrine.

Seat belt anchored at 45° angle to the floor of car.
Ceinture ancrée à 45° par rapport au plancher de la voiture.

Seat belts anchored apart, width of driver.
Ceintures ancrées séparément, largeur du pilote.



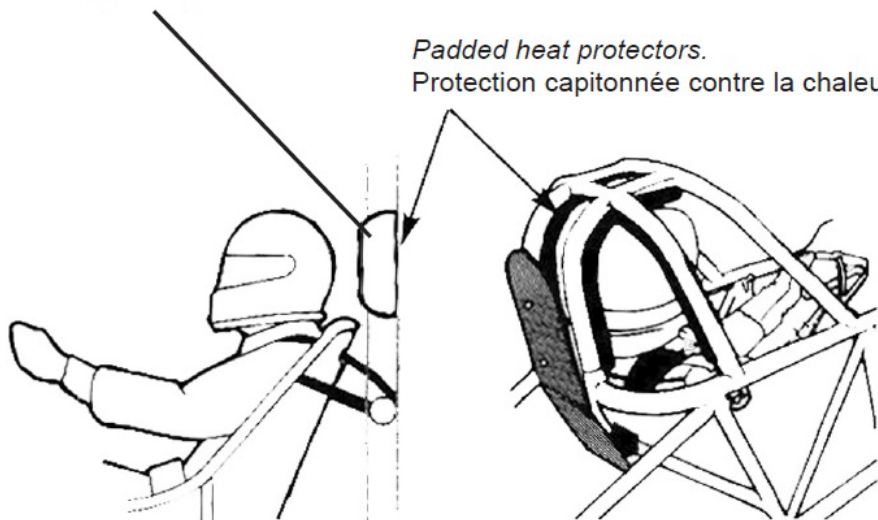
DRAWING / DESSIN 21a



DRAWING / DESSIN 22

Head rest within 102mm of driver's head helmet.
Repose-tête à 102mm max. du casque du pilote.

Padded heat protectors.
Protection capitonnée contre la chaleur.

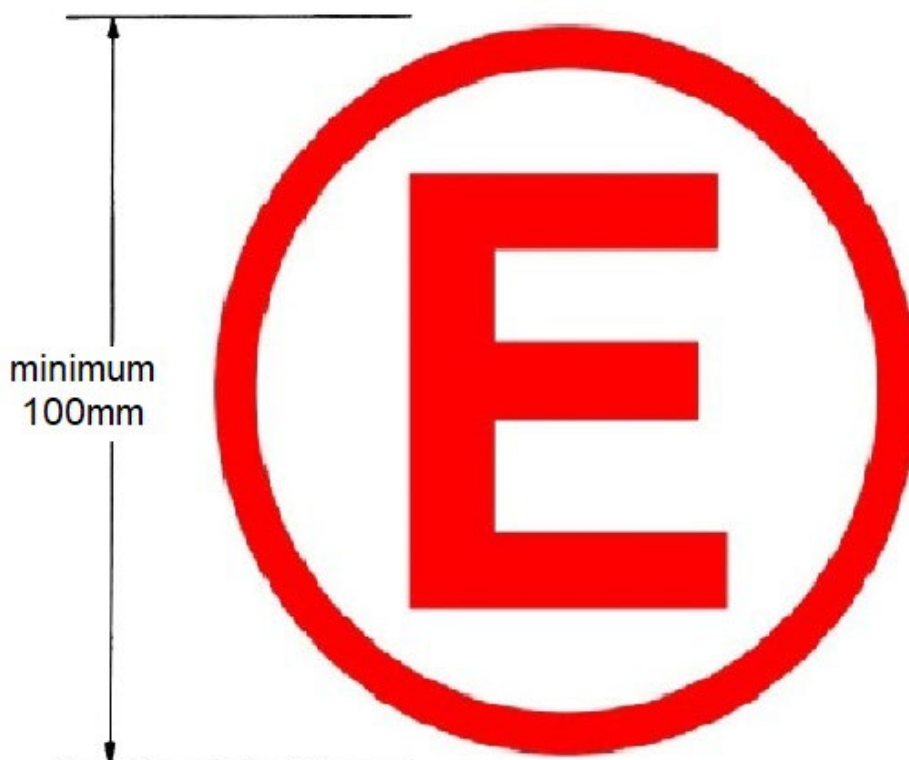


DRAWING / DESSIN 23

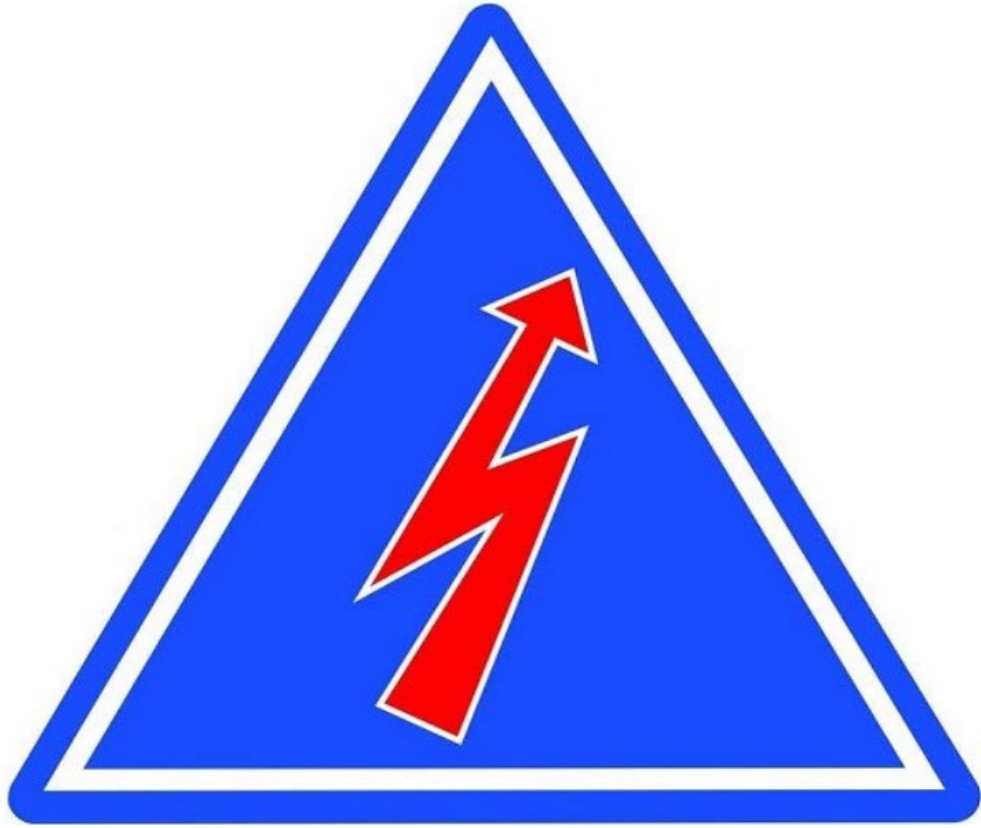


**DRAWING 23
DESSIN 23**

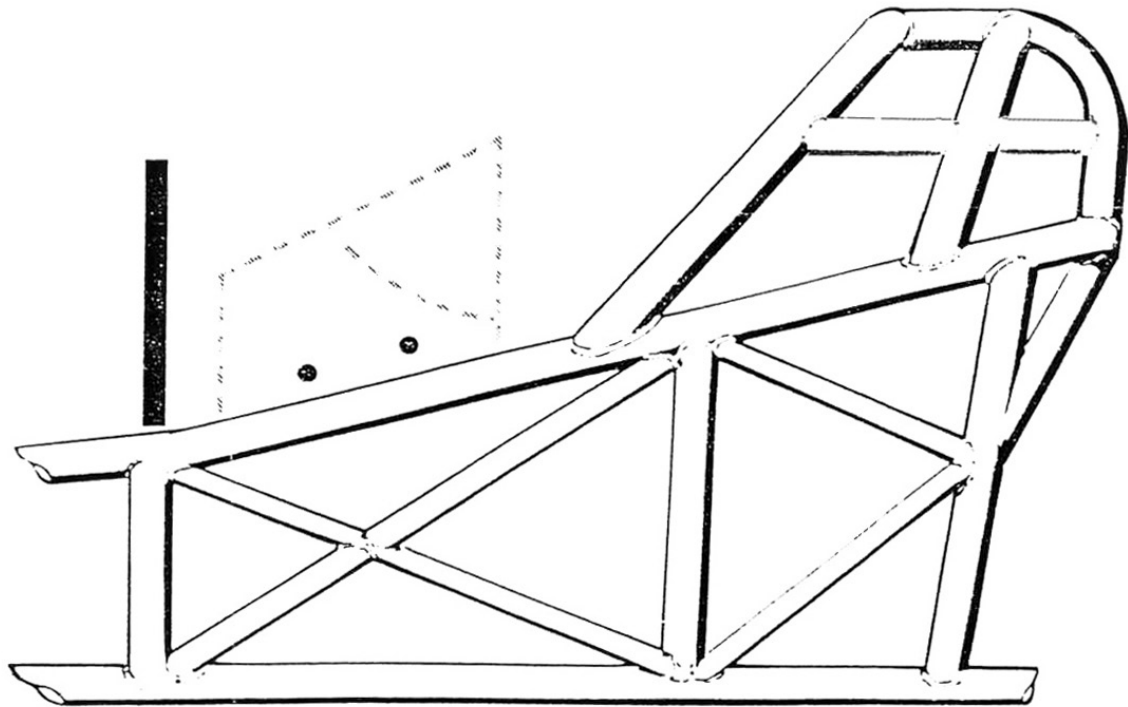
DRAWING / DESSIN 24



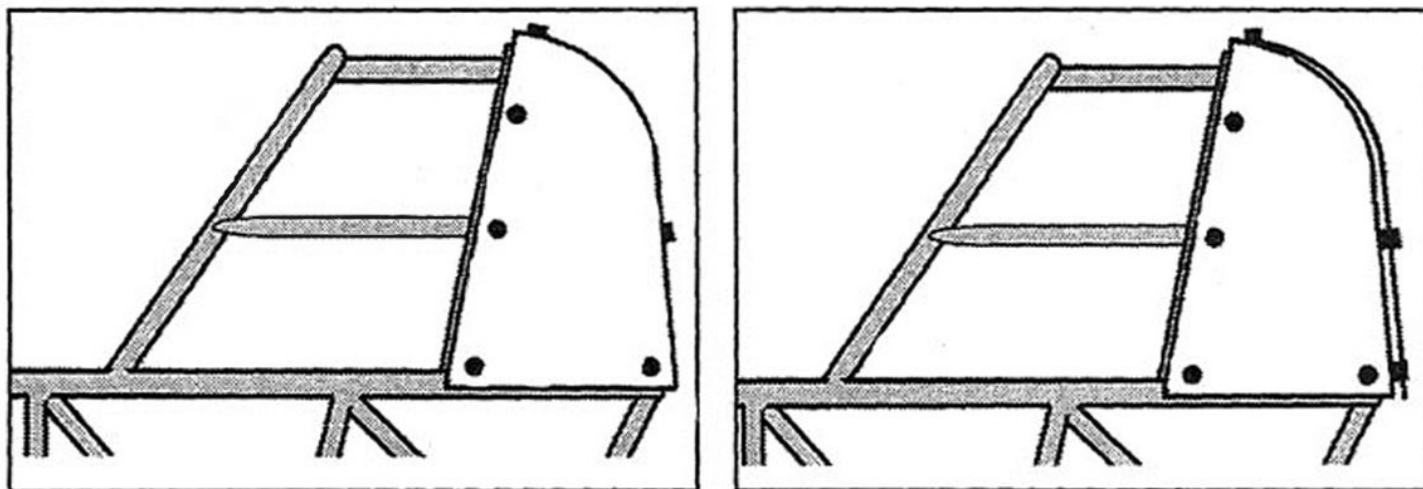
DRAWING / DESSIN 25



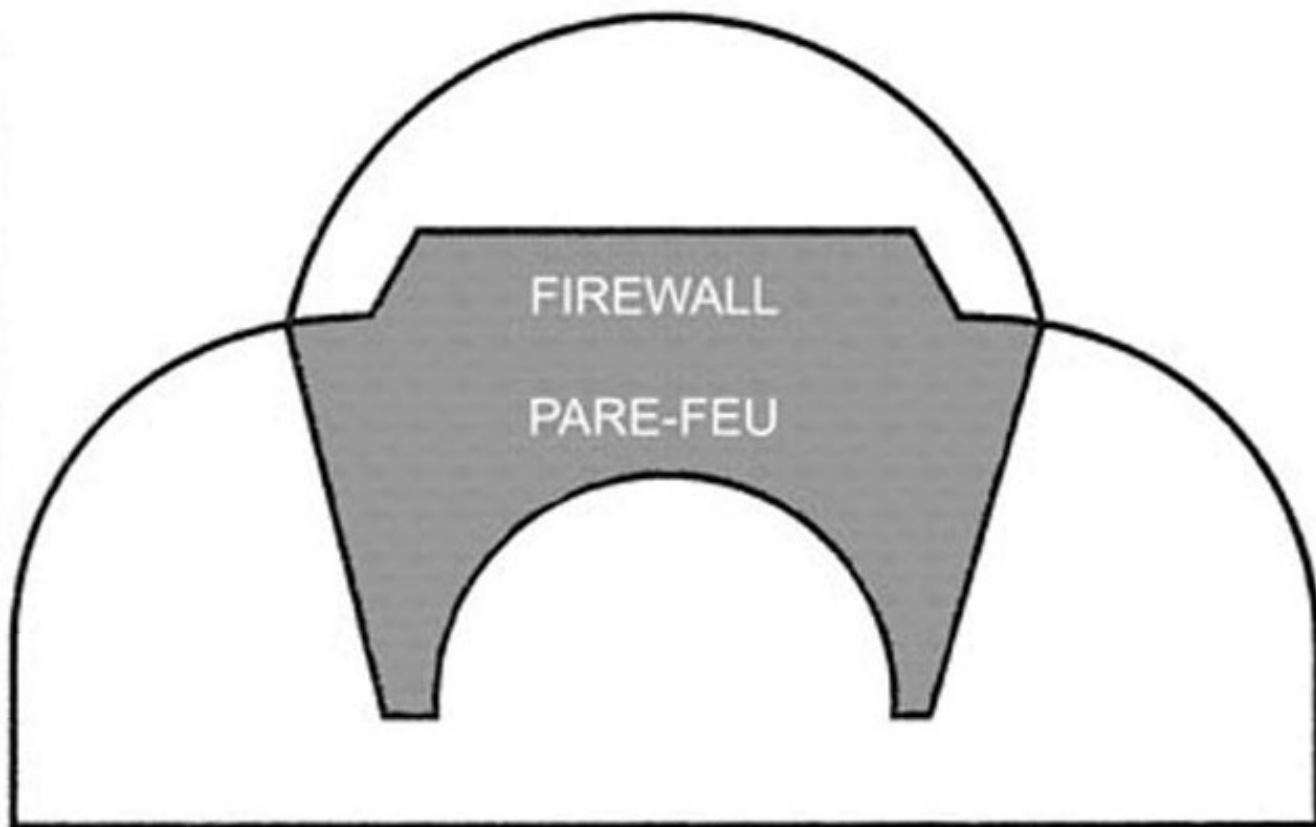
DRAWING / DESSIN 26



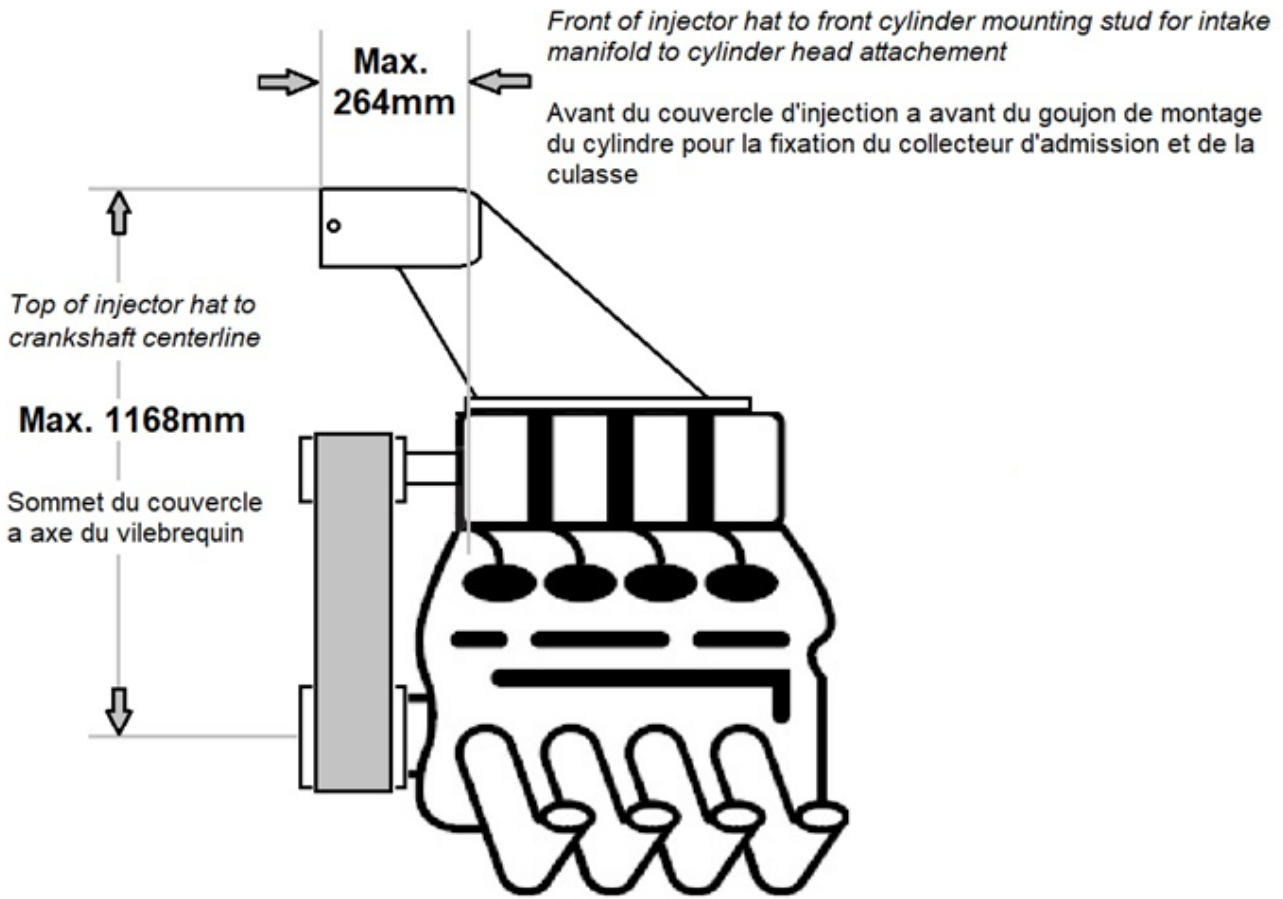
DRAWING / DESSIN 27



DRAWING / DESSIN 28



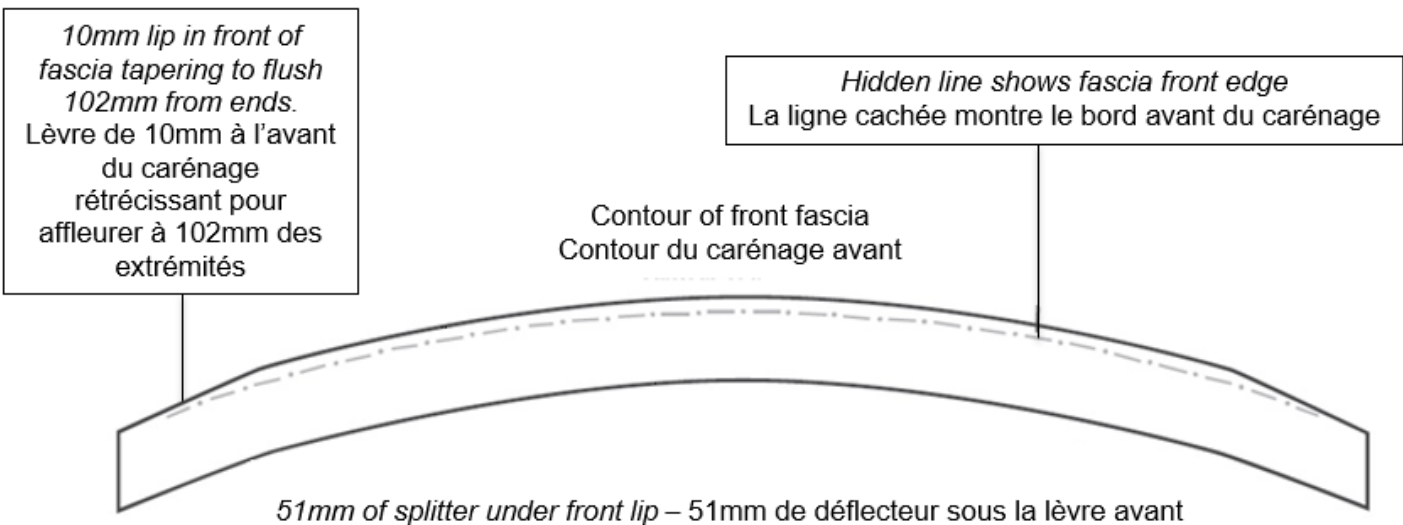
DRAWING / DESSIN 29



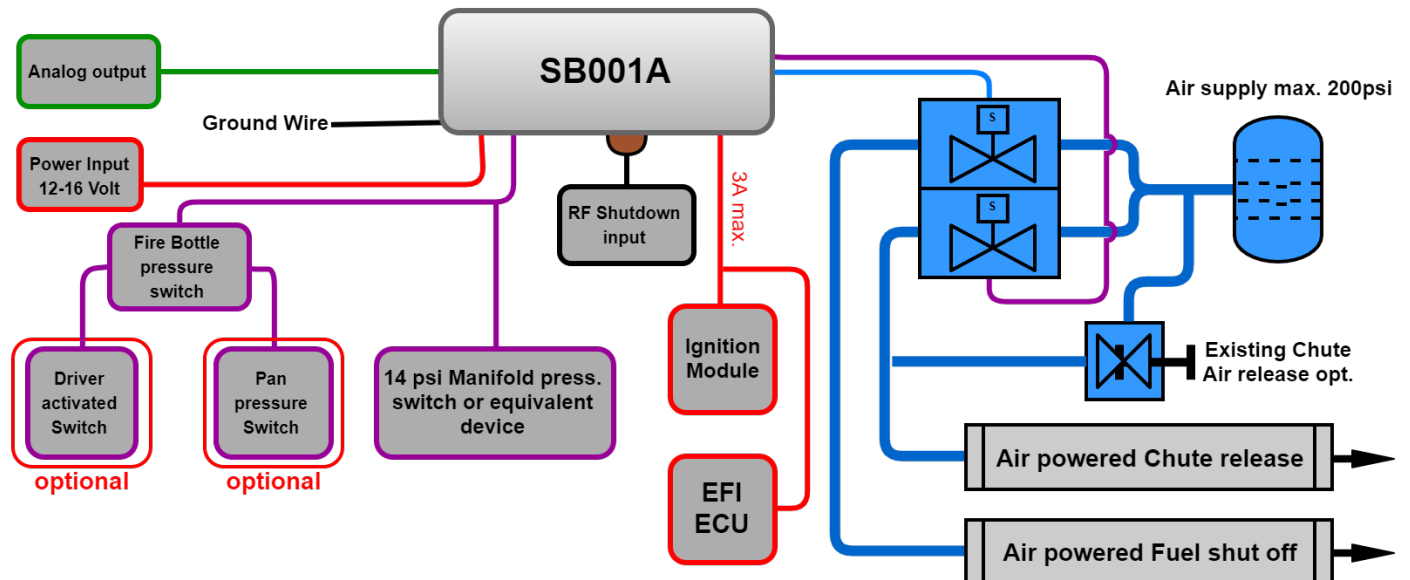
DRAWING / DESSIN 30

FRONT SPLITTER DIAGRAMM - DIAGRAMME DEFLECTEUR AVANT

1118mm in length, 58mm in width tapering to 51mm starting 102mm from each end
 1118mm de longueur 58mm de largeur rétrécissant jusqu'à 51mm à partir de 102mm de chaque extrémité



DRAWING / DESSIN 31

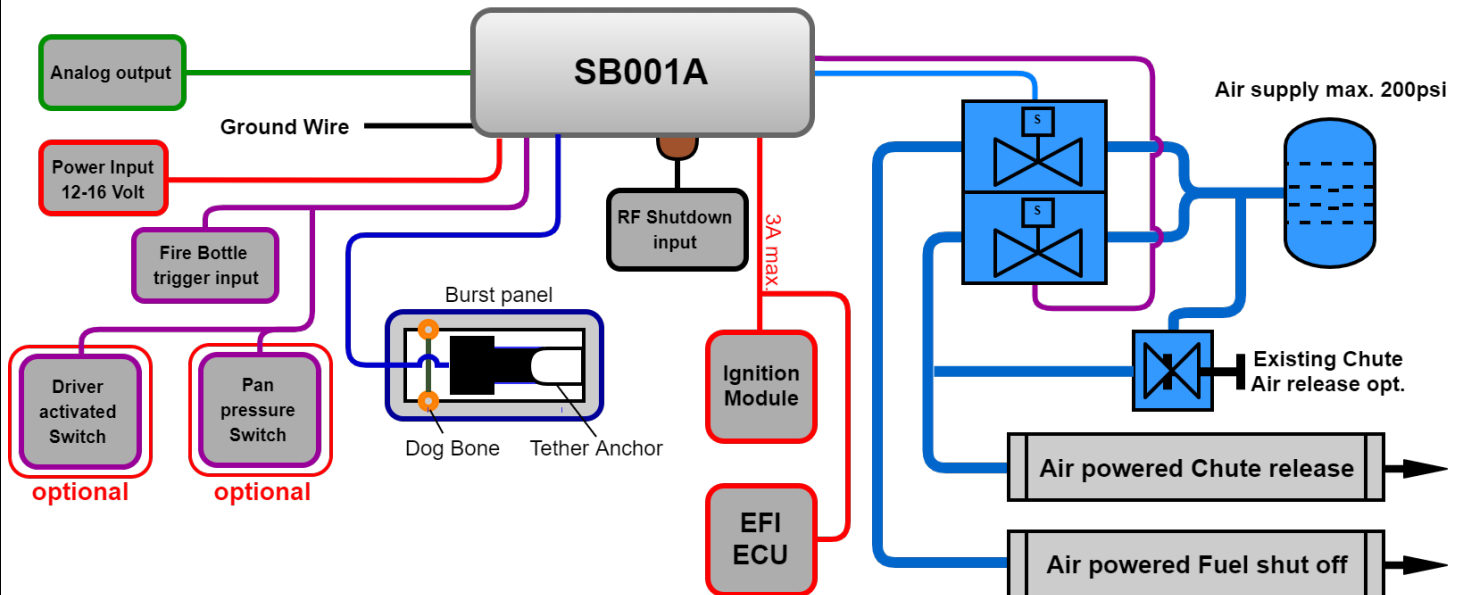
Electrimotion Shutoff Controller**Electronic Fuel Injected - Nitrous assisted Pro Modified Car**

- the Air powered Fuel shut off is optional when a mechanical Fuel pump is used
- the Manifold pressure switch is a 1bar (14psi) normally open pressure switch and must be connected to the Fire Bottle trigger input (an equivalent device is acceptable)
- electric Fuel pump if used, must be operated by the ECU
- the Driver activated Switch is optional
- the Pan pressure Switch is optional
- see www.Electrimotion.com for further instructions

IT IS THE RESPONSIBILITY OF THE PERSON INSTALLING ANY CONTROL SYSTEM COMPONENT OR KIT TO DETERMINE THE SUITABILITY OF THE COMPONENT OR KIT FOR THAT PARTICULAR APPLICATION. IF YOU ARE NOT SURE HOW TO SAFELY USE THIS COMPONENT OR KIT, YOU SHOULD NOT INSTALL OR USE IT. DO NOT ASSUME ANYTHING. IMPROPERLY INSTALLED OR MAINTAINED CONTROL SYSTEMS ARE DANGEROUS. IF YOU ARE NOT SURE, GET HELP OR RETURN THE PRODUCT. YOU MAY OBTAIN ADDITIONAL INFORMATION AND TECHNICAL SUPPORT BY CALLING ELECTRIMOTION AT (740) 362-0251, OR VISIT OUR WEB SITE AT WWW.ELECTRIMOTION.COM. USE OF ELECTRIMOTION TECHNICAL SUPPORT DOES NOT GUARANTEE PROPER INSTALLATION. YOU, OR THE PERSON WHO DOES THE INSTALLATION, MUST KNOW HOW TO PROPERLY USE THIS PRODUCT. IT IS NOT POSSIBLE OVER THE PHONE TO UNDERSTAND OR FORESEE ALL THE ISSUES THAT MIGHT ARISE IN YOUR INSTALLATION. LIABILITY ON DEFECTIVE MERCHANDISE OR MERCHANDISE NOT CONFORMING TO MANUFACTURER'S SPECIFICATIONS IS LIMITED TO THE REPAIR OR REPLACEMENT OF THE DEFECTIVE ITEM. RACING EQUIPMENT MUST BE MAINTAINED AND SHOULD BE CHECKED REGULARLY FOR FATIGUE, DAMAGE, AND WEAR. DO NOT OPERATE ANY VEHICLE ON UNTESTED CONTROL

DRAWING / DESSIN 32

Electrimotion Shutoff Controller

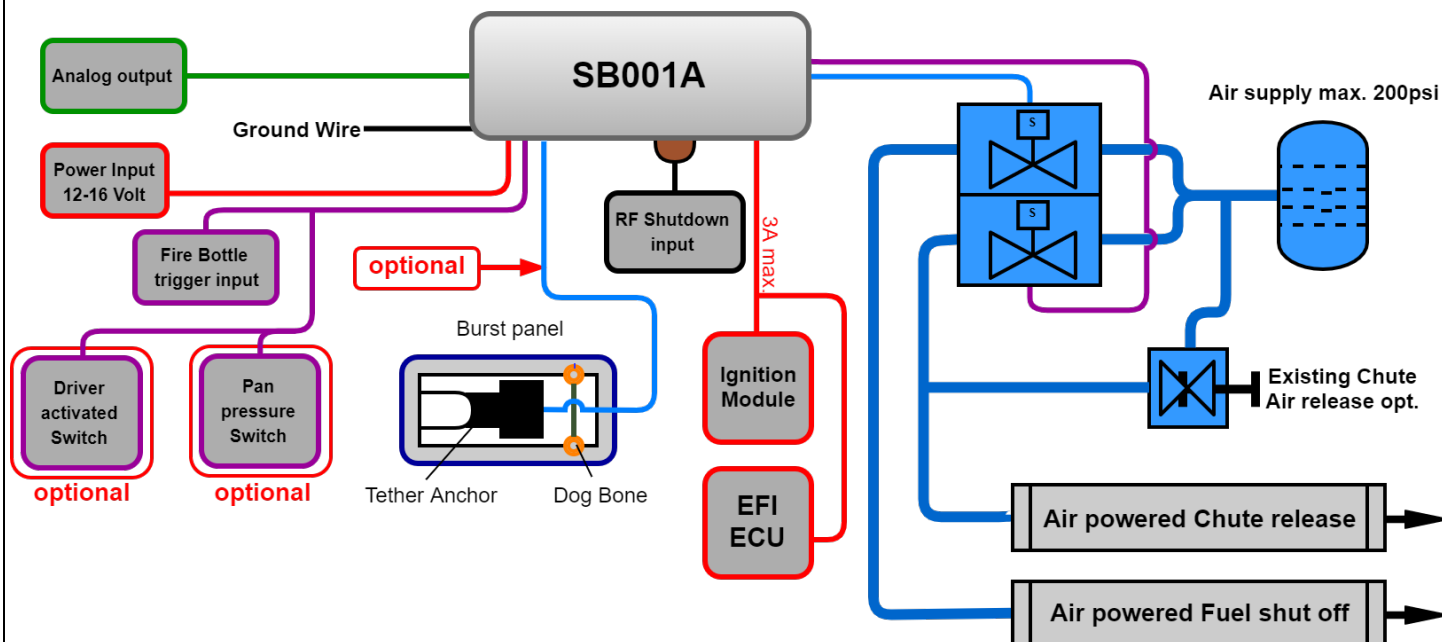
Electronic Fuel Injected - Supercharged Pro Modified Car

- the Air powered Fuel shut off is optional when a mechanical Fuel pump is used
- electric Fuel pump when used, must be controlled by the ECU
- the Driver activated Switch is optional
- the Pan pressure switch is optional
- see www.Electrimotion.com for further instructions

IT IS THE RESPONSIBILITY OF THE PERSON INSTALLING ANY CONTROL SYSTEM COMPONENT OR KIT TO DETERMINE THE SUITABILITY OF THE COMPONENT OR KIT FOR THAT PARTICULAR APPLICATION. IF YOU ARE NOT SURE HOW TO SAFELY USE THIS COMPONENT OR KIT, YOU SHOULD NOT INSTALL OR USE IT. DO NOT ASSUME ANYTHING. IMPROPERLY INSTALLED OR MAINTAINED CONTROL SYSTEMS ARE DANGEROUS. IF YOU ARE NOT SURE, GET HELP OR RETURN THE PRODUCT. YOU MAY OBTAIN ADDITIONAL INFORMATION AND TECHNICAL SUPPORT BY CALLING ELECTRIMOTION AT (740) 362-0251, OR VISIT OUR WEB SITE AT WWW.ELECTRIMOTION.COM. USE OF ELECTRIMOTION TECHNICAL SUPPORT DOES NOT GUARANTEE PROPER INSTALLATION. YOU, OR THE PERSON WHO DOES THE INSTALLATION, MUST KNOW HOW TO PROPERLY USE THIS PRODUCT. IT IS NOT POSSIBLE OVER THE PHONE TO UNDERSTAND OR FORESEE ALL THE ISSUES THAT MIGHT ARISE IN YOUR INSTALLATION. LIABILITY ON DEFECTIVE MERCHANDISE OR MERCHANDISE NOT CONFORMING TO MANUFACTURER'S SPECIFICATIONS IS LIMITED TO THE REPAIR OR REPLACEMENT OF THE DEFECTIVE ITEM. RACING EQUIPMENT MUST BE MAINTAINED AND SHOULD BE CHECKED REGULARLY FOR FATIGUE, DAMAGE, AND WEAR. DO NOT OPERATE ANY VEHICLE ON UNTESTED CONTROL

DRAWING / DESSIN 33

Electrimotion Shutoff Controller

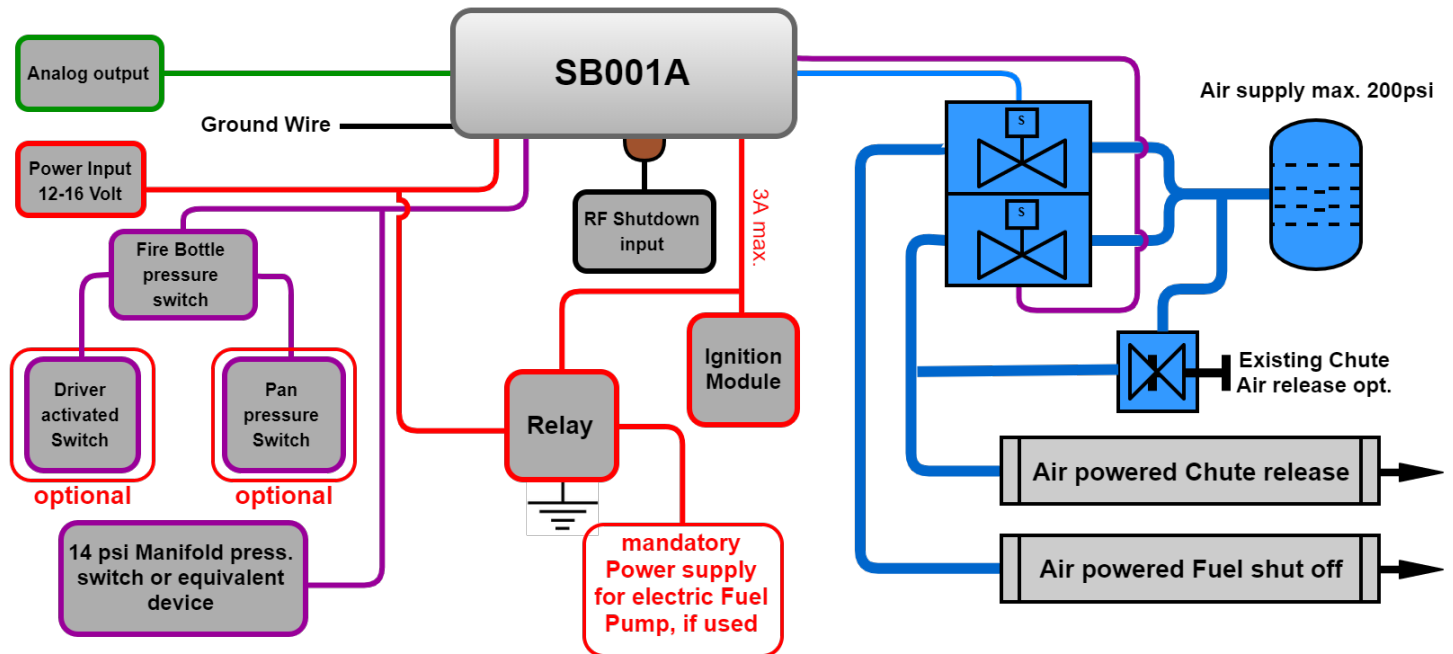
Electronic Fuel Injected - Turbocharged Pro Modified Car

- the Air powered Fuel shut off is optional when a mechanical Fuel pump is used
- electric Fuel pump when used, must be controlled by the ECU
- the Driver activated Switch is optional
- the Pan pressure Switch is optional
- the Burst panel tether is optional
- see www.Electrimotion.com for further instructions

IT IS THE RESPONSIBILITY OF THE PERSON INSTALLING ANY CONTROL SYSTEM COMPONENT OR KIT TO DETERMINE THE SUITABILITY OF THE COMPONENT OR KIT FOR THAT PARTICULAR APPLICATION. IF YOU ARE NOT SURE HOW TO SAFELY USE THIS COMPONENT OR KIT, YOU SHOULD NOT INSTALL OR USE IT. DO NOT ASSUME ANYTHING. IMPROPERLY INSTALLED OR MAINTAINED CONTROL SYSTEMS ARE DANGEROUS. IF YOU ARE NOT SURE, GET HELP OR RETURN THE PRODUCT. YOU MAY OBTAIN ADDITIONAL INFORMATION AND TECHNICAL SUPPORT BY CALLING ELECTRIMOTION AT (740) 362-0251, OR VISIT OUR WEB SITE AT WWW.ELECTRIMOTION.COM. USE OF ELECTRIMOTION TECHNICAL SUPPORT DOES NOT GUARANTEE PROPER INSTALLATION. YOU, OR THE PERSON WHO DOES THE INSTALLATION, MUST KNOW HOW TO PROPERLY USE THIS PRODUCT. IT IS NOT POSSIBLE OVER THE PHONE TO UNDERSTAND OR FORESEE ALL THE ISSUES THAT MIGHT ARISE IN YOUR INSTALLATION. LIABILITY ON DEFECTIVE MERCHANDISE OR MERCHANDISE NOT CONFORMING TO MANUFACTURER'S SPECIFICATIONS IS LIMITED TO THE REPAIR OR REPLACEMENT OF THE DEFECTIVE ITEM. RACING EQUIPMENT MUST BE MAINTAINED AND SHOULD BE CHECKED REGULARLY FOR FATIGUE, DAMAGE, AND WEAR. DO NOT OPERATE ANY VEHICLE ON UNTESTED CONTROL

DRAWING / DESSIN 34

Electrimotion Shutoff Controller

Non Electronic Fuel Injected - Nitrous Pro Modified Car

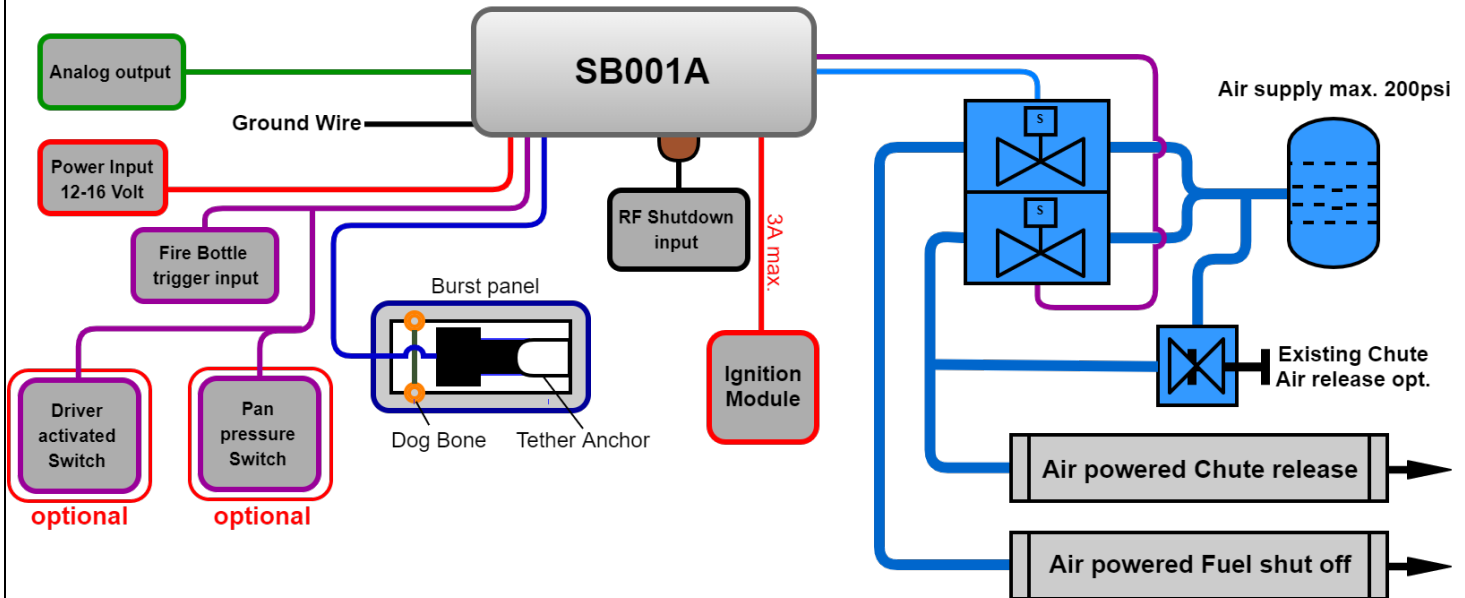
- the Air powered Fuel shut off is mandatory if a mechanical Fuel pump is used
- the Manifold pressure switch is a 1 bar (14psi) normally open pressure switch and must be connected to the Fire Bottle trigger input (an equivalent device is acceptable)
- electric Fuel pump if used, must be controlled by a Relay actuated by the shutoff Controller
- the Driver activated Switch is optional
- the Pan pressure Switch is optional
- see www.Electrimotion.com for further instructions

IT IS THE RESPONSIBILITY OF THE PERSON INSTALLING ANY CONTROL SYSTEM COMPONENT OR KIT TO DETERMINE THE SUITABILITY OF THE COMPONENT OR KIT FOR THAT PARTICULAR APPLICATION. IF YOU ARE NOT SURE HOW TO SAFELY USE THIS COMPONENT OR KIT, YOU SHOULD NOT INSTALL OR USE IT. DO NOT ASSUME ANYTHING. IMPROPERLY INSTALLED OR MAINTAINED CONTROL SYSTEMS ARE DANGEROUS. IF YOU ARE NOT SURE, GET HELP OR RETURN THE PRODUCT. YOU MAY OBTAIN ADDITIONAL INFORMATION AND TECHNICAL SUPPORT BY CALLING ELECTRIMOTION AT (740) 362-0251, OR VISIT OUR WEB SITE AT WWW.ELECTRIMOTION.COM. USE OF ELECTRIMOTION TECHNICAL SUPPORT DOES NOT GUARANTEE PROPER INSTALLATION. YOU, OR THE PERSON WHO DOES THE INSTALLATION, MUST KNOW HOW TO PROPERLY USE THIS PRODUCT. IT IS NOT POSSIBLE OVER THE PHONE TO UNDERSTAND OR FORESEE ALL THE ISSUES THAT MIGHT ARISE IN YOUR INSTALLATION. LIABILITY ON DEFECTIVE MERCHANDISE OR MERCHANDISE NOT CONFORMING TO MANUFACTURER'S SPECIFICATIONS IS LIMITED TO THE REPAIR OR REPLACEMENT OF THE DEFECTIVE ITEM. RACING EQUIPMENT MUST BE MAINTAINED AND SHOULD BE CHECKED REGULARLY FOR FATIGUE, DAMAGE, AND WEAR. DO NOT OPERATE ANY VEHICLE ON UNTESTED CONTROL SYSTEMS!

DRAWING / DESSIN 35

Electrimotion Shutoff Controller

Supercharged Pro Modified Car with mechanical Fuel System & Fuel Pump

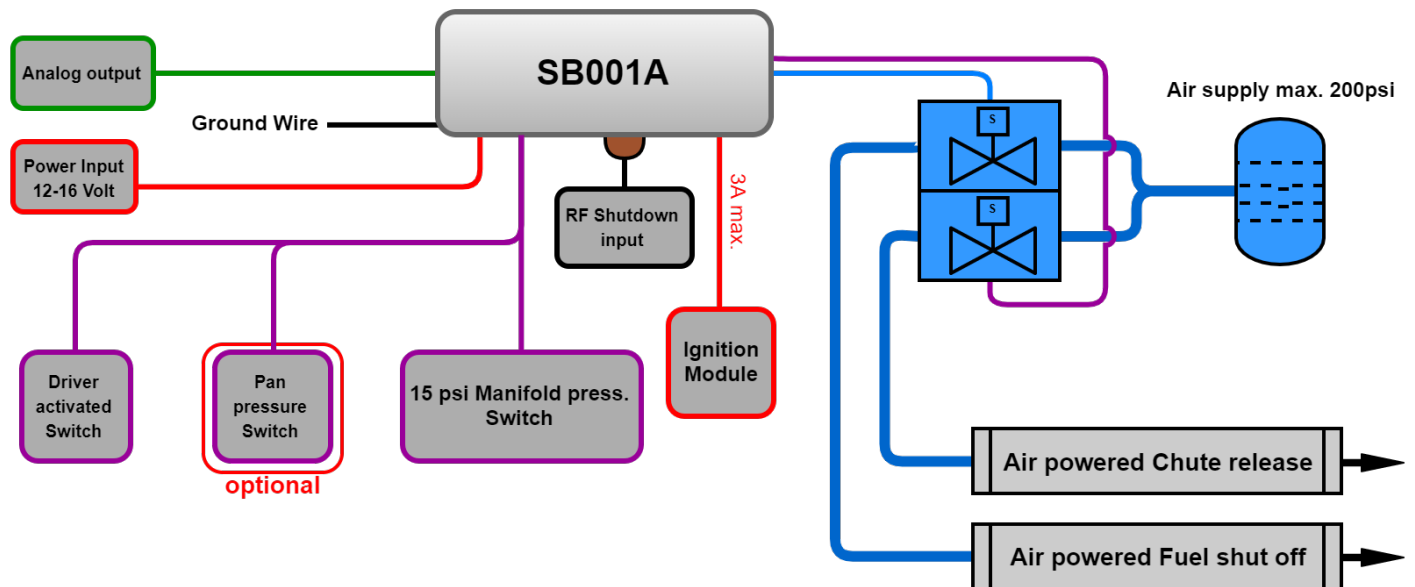


- the Air powered Fuel shut off is mandatory
- the Driver activated Switch is optional
- the Pan pressure Switch is optional
- see www.Electrimotion.com for further instructions

IT IS THE RESPONSIBILITY OF THE PERSON INSTALLING ANY CONTROL SYSTEM COMPONENT OR KIT TO DETERMINE THE SUITABILITY OF THE COMPONENT OR KIT FOR THAT PARTICULAR APPLICATION. IF YOU ARE NOT SURE HOW TO SAFELY USE THIS COMPONENT OR KIT, YOU SHOULD NOT INSTALL OR USE IT. DO NOT ASSUME ANYTHING. IMPROPERLY INSTALLED OR MAINTAINED CONTROL SYSTEMS ARE DANGEROUS. IF YOU ARE NOT SURE, GET HELP OR RETURN THE PRODUCT. YOU MAY OBTAIN ADDITIONAL INFORMATION AND TECHNICAL SUPPORT BY CALLING ELECTRIMOTION AT (740) 362-0251, OR VISIT OUR WEB SITE AT WWW.ELECTRIMOTION.COM. USE OF ELECTRIMOTION TECHNICAL SUPPORT DOES NOT GUARANTEE PROPER INSTALLATION. YOU, OR THE PERSON WHO DOES THE INSTALLATION, MUST KNOW HOW TO PROPERLY USE THIS PRODUCT. IT IS NOT POSSIBLE OVER THE PHONE TO UNDERSTAND OR FORESEE ALL THE ISSUES THAT MIGHT ARISE IN YOUR INSTALLATION. LIABILITY ON DEFECTIVE MERCHANDISE OR MERCHANDISE NOT CONFORMING TO MANUFACTURER'S SPECIFICATIONS IS LIMITED TO THE REPAIR OR REPLACEMENT OF THE DEFECTIVE ITEM. RACING EQUIPMENT MUST BE MAINTAINED AND SHOULD BE CHECKED REGULARLY FOR FATIGUE, DAMAGE, AND WEAR. DO NOT OPERATE ANY VEHICLE ON UNTESTED CONTROL SYSTEMS!

DRAWING / DESSIN 36

Electrimotion Shutoff Controller A/Fuel - Top Methanol Dragster

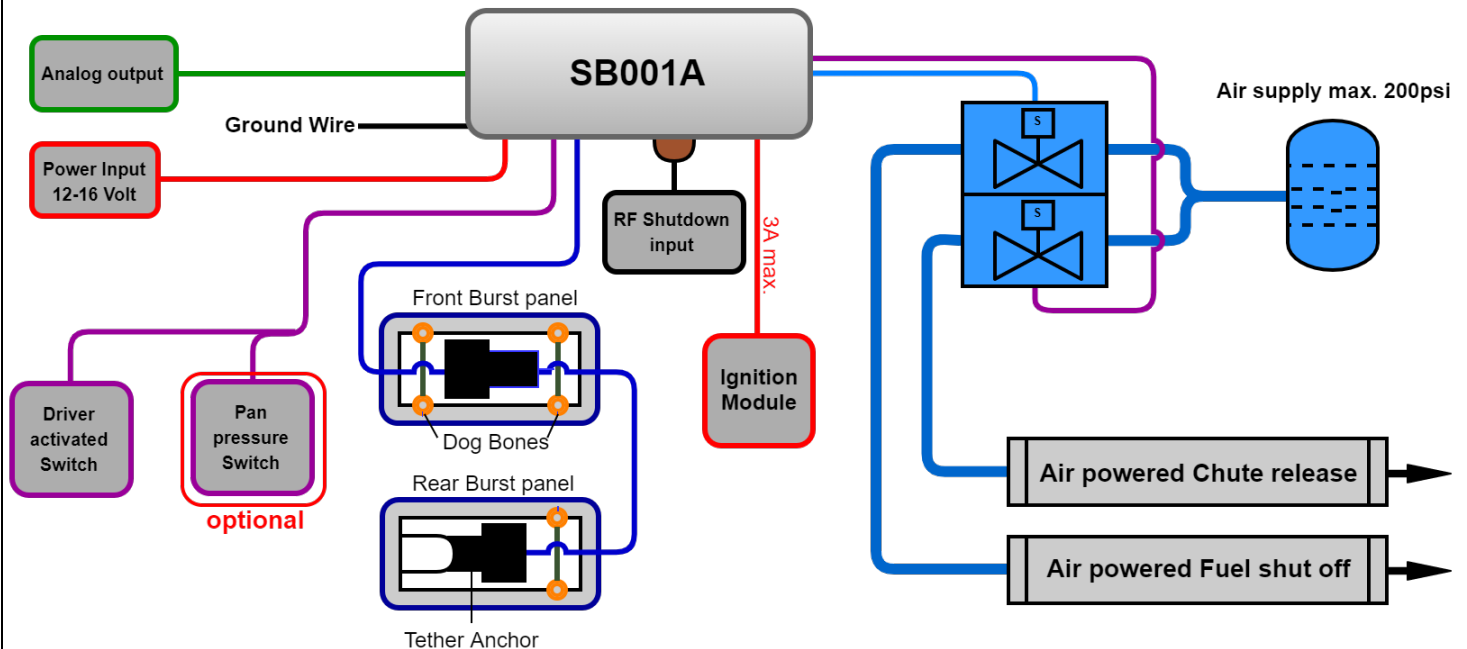


- the Air powered Fuel shut off is mandatory
- the Manifold pressure switch is a 1 bar (15psi) normally open pressure switch and must be connected to the Fire Bottle trigger input of the SB001A
- the Driver activated Switch is mandatory
- see www.Electrimotion.com for further instructions

IT IS THE RESPONSIBILITY OF THE PERSON INSTALLING ANY CONTROL SYSTEM COMPONENT OR KIT TO DETERMINE THE SUITABILITY OF THE COMPONENT OR KIT FOR THAT PARTICULAR APPLICATION. IF YOU ARE NOT SURE HOW TO SAFELY USE THIS COMPONENT OR KIT, YOU SHOULD NOT INSTALL OR USE IT. DO NOT ASSUME ANYTHING. IMPROPERLY INSTALLED OR MAINTAINED CONTROL SYSTEMS ARE DANGEROUS. IF YOU ARE NOT SURE, GET HELP OR RETURN THE PRODUCT. YOU MAY OBTAIN ADDITIONAL INFORMATION AND TECHNICAL SUPPORT BY CALLING ELECTRIMOTION AT (740) 362-0251, OR VISIT OUR WEB SITE AT WWW.ELECTRIMOTION.COM. USE OF ELECTRIMOTION TECHNICAL SUPPORT DOES NOT GUARANTEE PROPER INSTALLATION. YOU, OR THE PERSON WHO DOES THE INSTALLATION, MUST KNOW HOW TO PROPERLY USE THIS PRODUCT. IT IS NOT POSSIBLE OVER THE PHONE TO UNDERSTAND OR FORESEE ALL THE ISSUES THAT MIGHT ARISE IN YOUR INSTALLATION. LIABILITY ON DEFECTIVE MERCHANDISE OR MERCHANDISE NOT CONFORMING TO MANUFACTURER'S SPECIFICATIONS IS LIMITED TO THE REPAIR OR REPLACEMENT OF THE DEFECTIVE ITEM. RACING EQUIPMENT MUST BE MAINTAINED AND SHOULD BE CHECKED REGULARLY FOR FATIGUE, DAMAGE, AND WEAR. DO NOT OPERATE ANY VEHICLE ON UNTESTED CONTROL SYSTEMS!

DRAWING / DESSIN 37

Electrimotion Shutoff Controller Supercharged Top Methanol Dragster



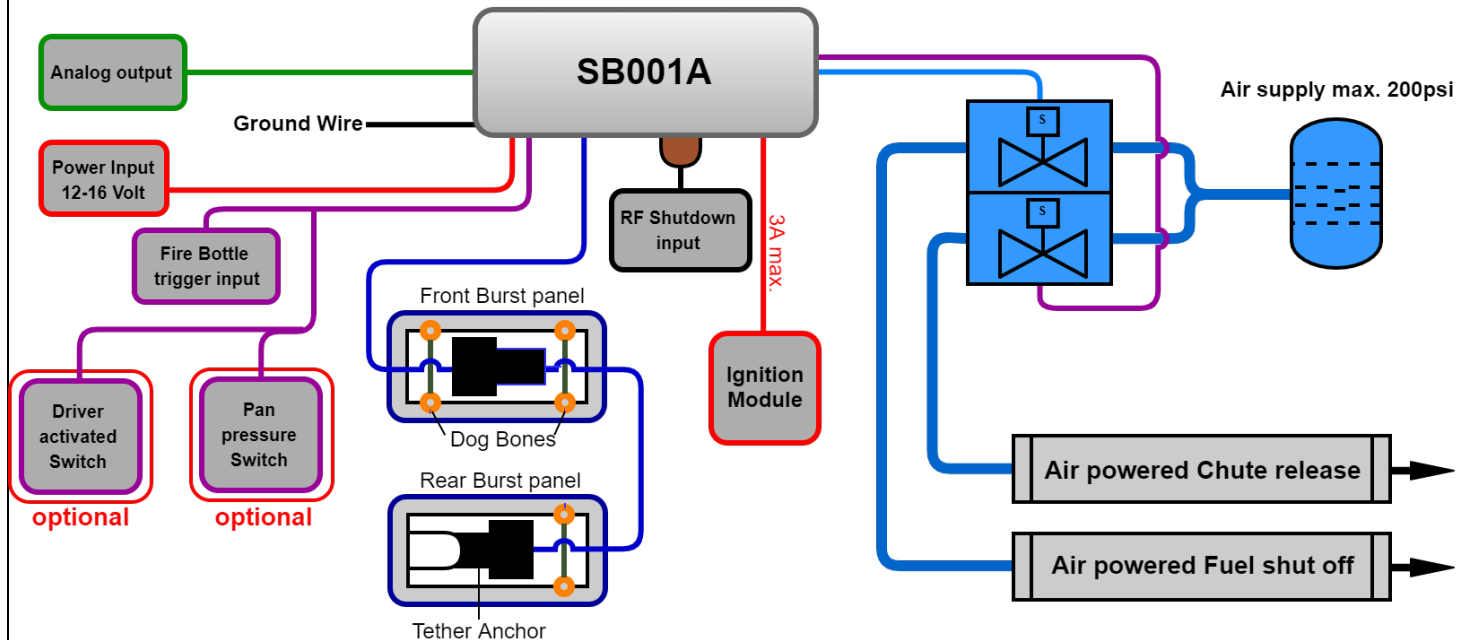
- the Driver activated Switch is mandatory
- the Pan pressure Switch is optional
- see www.Electrimotion.com for further instructions

IT IS THE RESPONSIBILITY OF THE PERSON INSTALLING ANY CONTROL SYSTEM COMPONENT OR KIT TO DETERMINE THE SUITABILITY OF THE COMPONENT OR KIT FOR THAT PARTICULAR APPLICATION. IF YOU ARE NOT SURE HOW TO SAFELY USE THIS COMPONENT OR KIT, YOU SHOULD NOT INSTALL OR USE IT. DO NOT ASSUME ANYTHING. IMPROPERLY INSTALLED OR MAINTAINED CONTROL SYSTEMS ARE DANGEROUS. IF YOU ARE NOT SURE, GET HELP OR RETURN THE PRODUCT. YOU MAY OBTAIN ADDITIONAL INFORMATION AND TECHNICAL SUPPORT BY CALLING ELECTRIMOTION AT (740) 362-0251, OR VISIT OUR WEB SITE AT WWW.ELECTRIMOTION.COM. USE OF ELECTRIMOTION TECHNICAL SUPPORT DOES NOT GUARANTEE PROPER INSTALLATION. YOU, OR THE PERSON WHO DOES THE INSTALLATION, MUST KNOW HOW TO PROPERLY USE THIS PRODUCT. IT IS NOT POSSIBLE OVER THE PHONE TO UNDERSTAND OR FORESEE ALL THE ISSUES THAT MIGHT ARISE IN YOUR INSTALLATION. LIABILITY ON DEFECTIVE MERCHANDISE OR MERCHANDISE NOT CONFORMING TO MANUFACTURER'S SPECIFICATIONS IS LIMITED TO THE REPAIR OR REPLACEMENT OF THE DEFECTIVE ITEM. RACING EQUIPMENT MUST BE MAINTAINED AND SHOULD BE CHECKED REGULARLY FOR FATIGUE, DAMAGE, AND WEAR. DO NOT OPERATE ANY VEHICLE ON UNTESTED CONTROL SYSTEMS!

DRAWING / DESSIN 38

Electrimotion Shutoff Controller

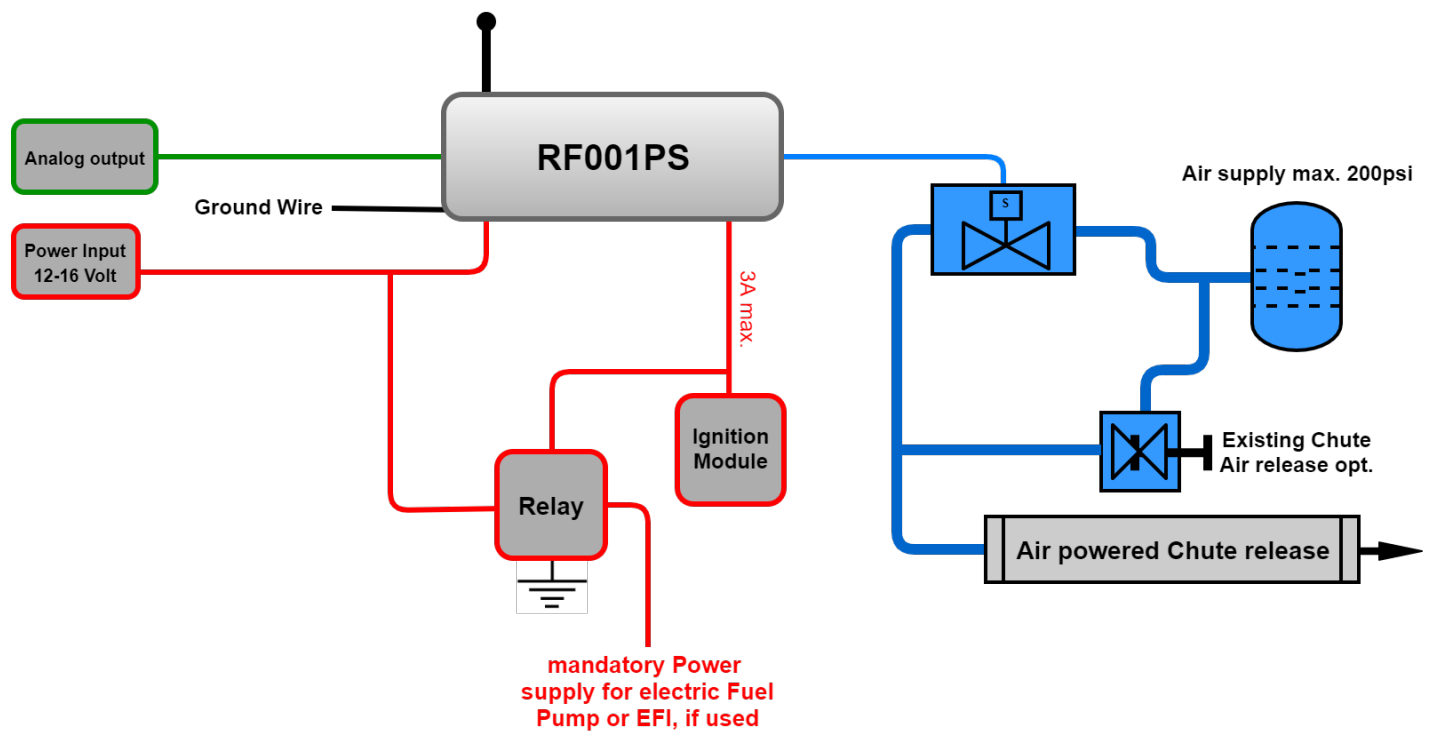
Top Methanol Funny Car



- the Driver activated Switch is optional
- the Pan pressure Switch is optional
- see www.Electrimotion.com for further instructions

IT IS THE RESPONSIBILITY OF THE PERSON INSTALLING ANY CONTROL SYSTEM COMPONENT OR KIT TO DETERMINE THE SUITABILITY OF THE COMPONENT OR KIT FOR THAT PARTICULAR APPLICATION. IF YOU ARE NOT SURE HOW TO SAFELY USE THIS COMPONENT OR KIT, YOU SHOULD NOT INSTALL OR USE IT. DO NOT ASSUME ANYTHING. IMPROPERLY INSTALLED OR MAINTAINED CONTROL SYSTEMS ARE DANGEROUS. IF YOU ARE NOT SURE, GET HELP OR RETURN THE PRODUCT. YOU MAY OBTAIN ADDITIONAL INFORMATION AND TECHNICAL SUPPORT BY CALLING ELECTRIMOTION AT (740) 362-0251, OR VISIT OUR WEB SITE AT WWW.ELECTRIMOTION.COM. USE OF ELECTRIMOTION TECHNICAL SUPPORT DOES NOT GUARANTEE PROPER INSTALLATION. YOU, OR THE PERSON WHO DOES THE INSTALLATION, MUST KNOW HOW TO PROPERLY USE THIS PRODUCT. IT IS NOT POSSIBLE OVER THE PHONE TO UNDERSTAND OR FORESEE ALL THE ISSUES THAT MIGHT ARISE IN YOUR INSTALLATION. LIABILITY ON DEFECTIVE MERCHANDISE OR MERCHANDISE NOT CONFORMING TO MANUFACTURER'S SPECIFICATIONS IS LIMITED TO THE REPAIR OR REPLACEMENT OF THE DEFECTIVE ITEM. RACING EQUIPMENT MUST BE MAINTAINED AND SHOULD BE CHECKED REGULARLY FOR FATIGUE, DAMAGE, AND WEAR. DO NOT OPERATE ANY VEHICLE ON UNTESTED CONTROL SYSTEMS!

DRAWING / DESSIN 39

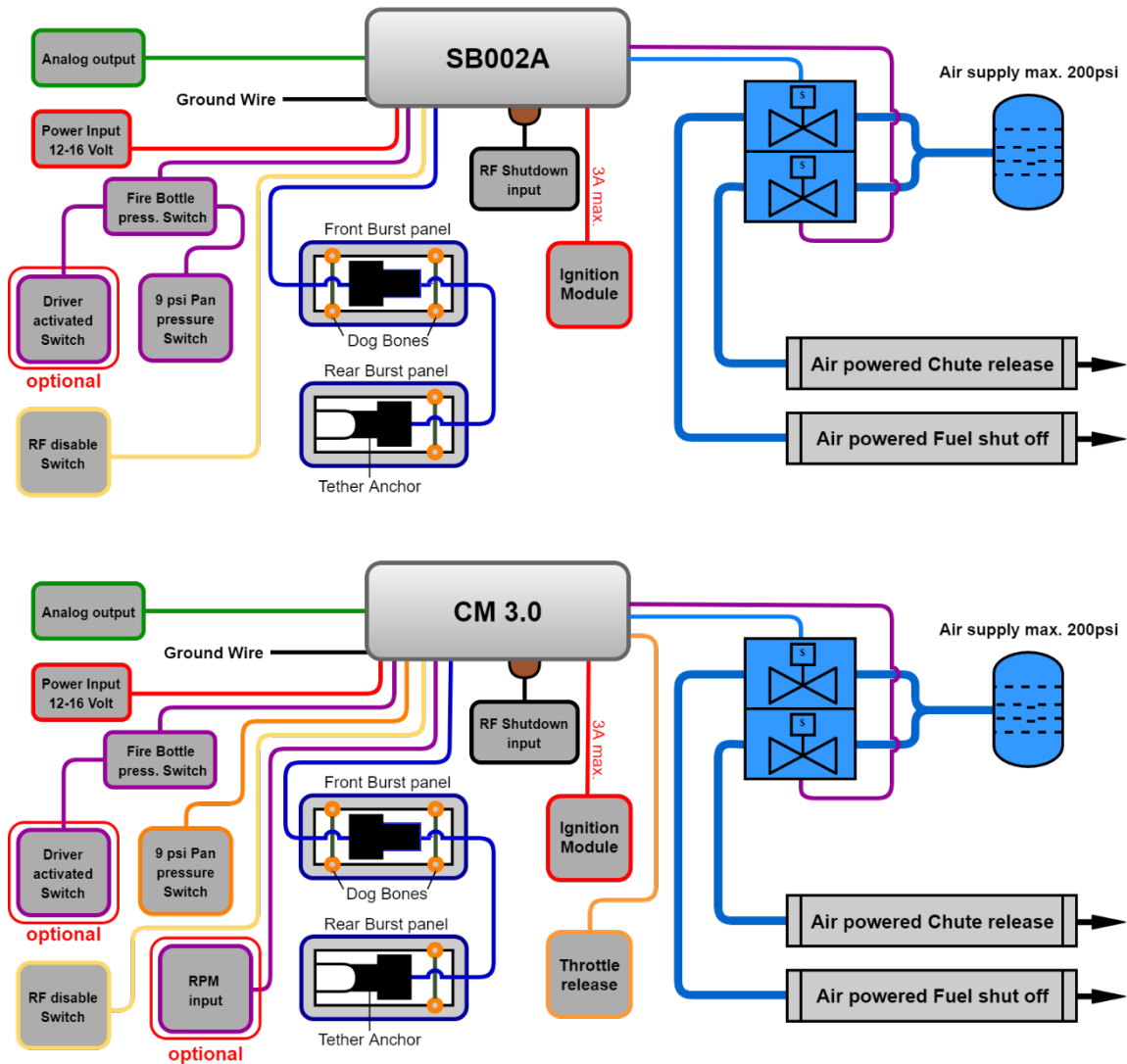
Electrimotion Shutoff Controller**Pro Stock Car**

- Electric Fuel pump if used, must be controlled by the ECU or governed by the shutoff Controller device
- Electronic Fuel Injection if used, must be governed by the shutoff Controller
- see www.Electrimotion.com for further instructions

IT IS THE RESPONSIBILITY OF THE PERSON INSTALLING ANY CONTROL SYSTEM COMPONENT OR KIT TO DETERMINE THE SUITABILITY OF THE COMPONENT OR KIT FOR THAT PARTICULAR APPLICATION. IF YOU ARE NOT SURE HOW TO SAFELY USE THIS COMPONENT OR KIT, YOU SHOULD NOT INSTALL OR USE IT. DO NOT ASSUME ANYTHING. IMPROPERLY INSTALLED OR MAINTAINED CONTROL SYSTEMS ARE DANGEROUS. IF YOU ARE NOT SURE, GET HELP OR RETURN THE PRODUCT. YOU MAY OBTAIN ADDITIONAL INFORMATION AND TECHNICAL SUPPORT BY CALLING ELECTRIMOTION AT (740) 362-0251, OR VISIT OUR WEB SITE AT WWW.ELECTRIMOTION.COM. USE OF ELECTRIMOTION TECHNICAL SUPPORT DOES NOT GUARANTEE PROPER INSTALLATION. YOU, OR THE PERSON WHO DOES THE INSTALLATION, MUST KNOW HOW TO PROPERLY USE THIS PRODUCT. IT IS NOT POSSIBLE OVER THE PHONE TO UNDERSTAND OR FORESEE ALL THE ISSUES THAT MIGHT ARISE IN YOUR INSTALLATION. LIABILITY ON DEFECTIVE MERCHANDISE OR MERCHANDISE NOT CONFORMING TO MANUFACTURER'S SPECIFICATIONS IS LIMITED TO THE REPAIR OR REPLACEMENT OF THE DEFECTIVE ITEM. RACING EQUIPMENT MUST BE MAINTAINED AND SHOULD BE CHECKED REGULARLY FOR FATIGUE, DAMAGE, AND WEAR. DO NOT OPERATE ANY VEHICLE ON UNTESTED CONTROL SYSTEMS!

DRAWING / DESSIN 40

Electrimotion Shutoff Controller Top Fuel Funny Car

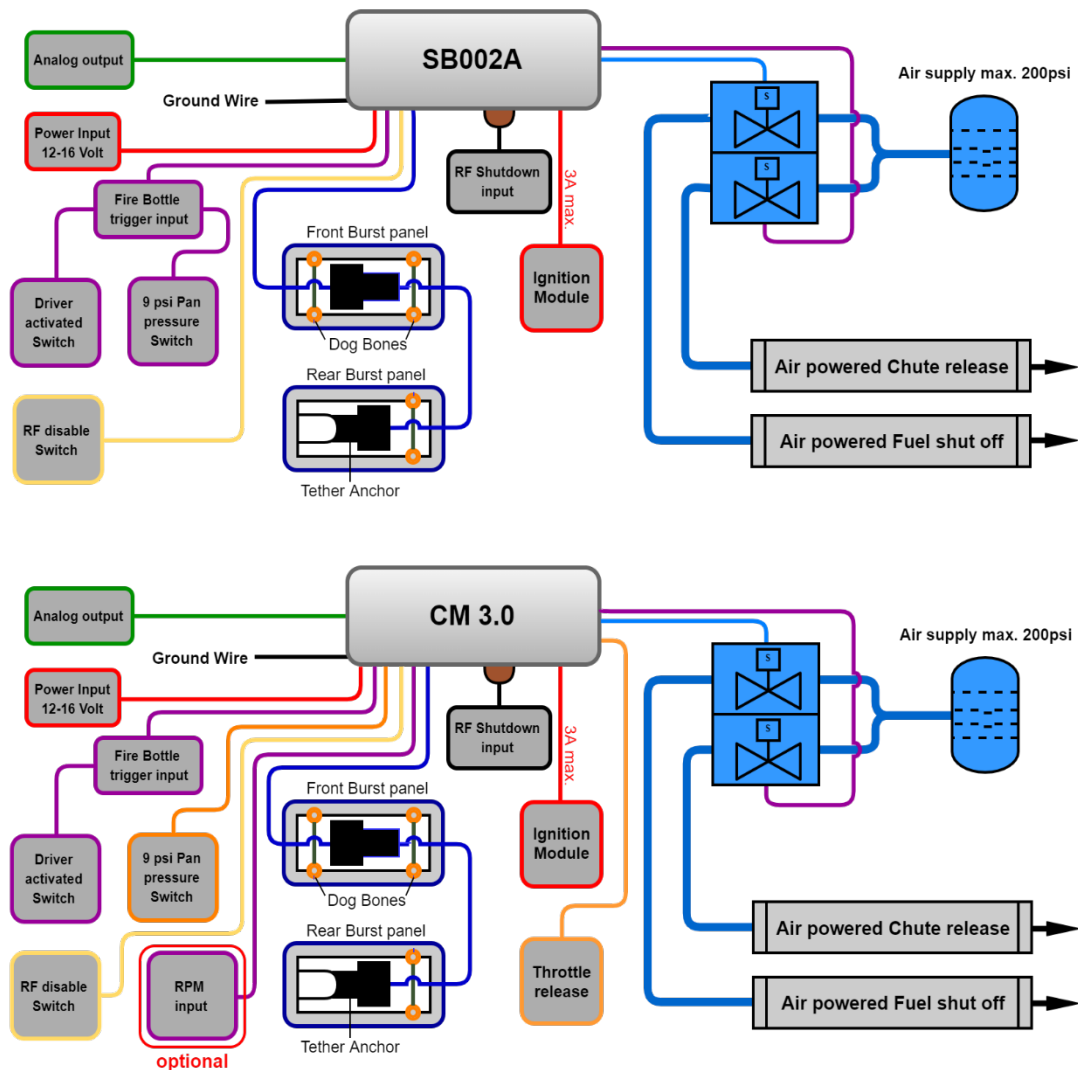


- the Pan pressure switch must activate the Throttle release if equipped, otherwise the Pan pressure switch must be connected to the Fire Bottle trigger input
- the RF disable switch, must only be triggered by manual chute deployment
- see www.Electrimotion.com for further instructions

IT IS THE RESPONSIBILITY OF THE PERSON INSTALLING ANY CONTROL SYSTEM COMPONENT OR KIT TO DETERMINE THE SUITABILITY OF THE COMPONENT OR KIT FOR THAT PARTICULAR APPLICATION. IF YOU ARE NOT SURE HOW TO SAFELY USE THIS COMPONENT OR KIT, YOU SHOULD NOT INSTALL OR USE IT. DO NOT ASSUME ANYTHING. IMPROPERLY INSTALLED OR MAINTAINED CONTROL SYSTEMS ARE DANGEROUS. IF YOU ARE NOT SURE, GET HELP OR RETURN THE PRODUCT. YOU MAY OBTAIN ADDITIONAL INFORMATION AND TECHNICAL SUPPORT BY CALLING ELECTRIMOTION AT (740) 362-0251, OR VISIT OUR WEB SITE AT WWW.ELECTRIMOTION.COM. USE OF ELECTRIMOTION TECHNICAL SUPPORT DOES NOT GUARANTEE PROPER INSTALLATION. YOU, OR THE PERSON WHO DOES THE INSTALLATION, MUST KNOW HOW TO PROPERLY USE THIS PRODUCT. IT IS NOT POSSIBLE OVER THE PHONE TO UNDERSTAND OR FORESEE ALL THE ISSUES THAT MIGHT ARISE IN YOUR INSTALLATION. LIABILITY ON DEFECTIVE MERCHANDISE OR MERCHANDISE NOT CONFORMING TO MANUFACTURER'S SPECIFICATIONS IS LIMITED TO THE REPAIR OR REPLACEMENT OF THE DEFECTIVE ITEM. RACING EQUIPMENT MUST BE MAINTAINED AND SHOULD BE CHECKED REGULARLY FOR FATIGUE, DAMAGE, AND WEAR. DO NOT OPERATE ANY VEHICLE ON UNTESTED CONTROL SYSTEMS!

DRAWING / DESSIN 41

Electrimotion Shutoff Controller Top Fuel Dragster

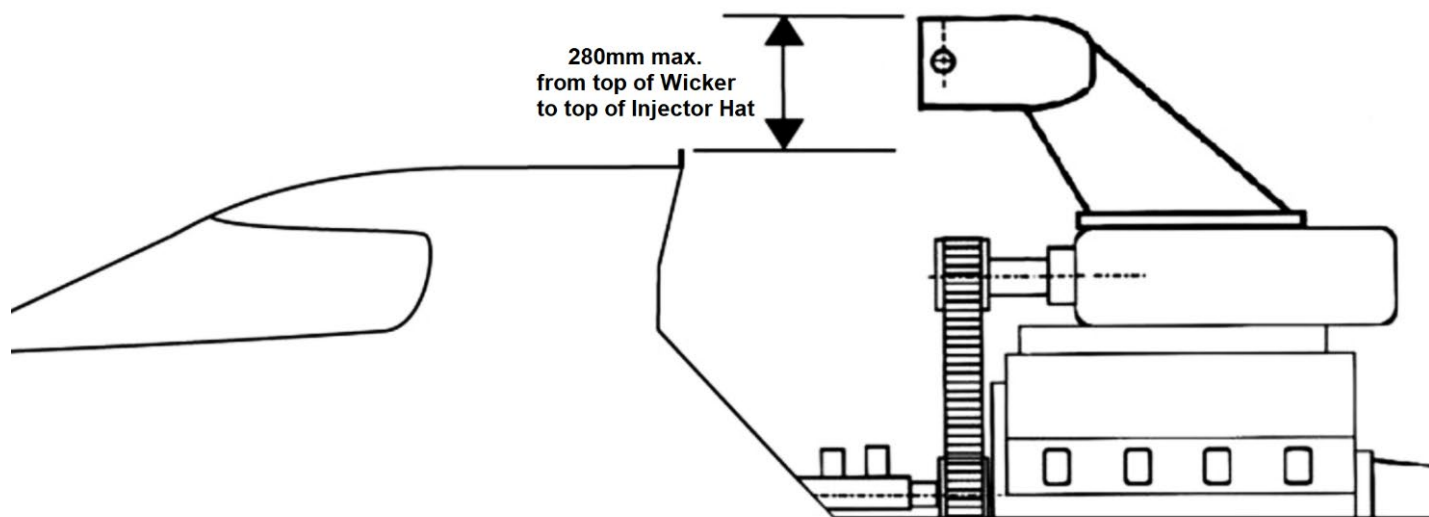


- Fire Bottle pressure switch mandatory on Vehicles with enclosed Cockpit (Canopy)
- the Pan pressure switch must activate the Throttle release if equipped, otherwise the Pan pressure switch must be connected to the Fire Bottle trigger input
- the RF disable switch, must only be triggered by manual chute deployment
- see www.Electrimotion.com for further instructions

IT IS THE RESPONSIBILITY OF THE PERSON INSTALLING ANY CONTROL SYSTEM COMPONENT OR KIT TO DETERMINE THE SUITABILITY OF THE COMPONENT OR KIT FOR THAT PARTICULAR APPLICATION. IF YOU ARE NOT SURE HOW TO SAFELY USE THIS COMPONENT OR KIT, YOU SHOULD NOT INSTALL OR USE IT. DO NOT ASSUME ANYTHING. IMPROPERLY INSTALLED OR MAINTAINED CONTROL SYSTEMS ARE DANGEROUS. IF YOU ARE NOT SURE, GET HELP OR RETURN THE PRODUCT. YOU MAY OBTAIN ADDITIONAL INFORMATION AND TECHNICAL SUPPORT BY CALLING ELECTRIMOTION AT (740) 362-0251, OR VISIT OUR WEB SITE AT WWW.ELECTRIMOTION.COM. USE OF ELECTRIMOTION TECHNICAL SUPPORT DOES NOT GUARANTEE PROPER INSTALLATION. YOU, OR THE PERSON WHO DOES THE INSTALLATION, MUST KNOW HOW TO PROPERLY USE THIS PRODUCT. IT IS NOT POSSIBLE OVER THE PHONE TO UNDERSTAND OR FORESEE ALL THE ISSUES THAT MIGHT ARISE IN YOUR INSTALLATION. LIABILITY ON DEFECTIVE MERCHANDISE OR MERCHANDISE NOT CONFORMING TO MANUFACTURER'S SPECIFICATIONS IS LIMITED TO THE REPAIR OR REPLACEMENT OF THE DEFECTIVE ITEM. RACING EQUIPMENT MUST BE MAINTAINED AND SHOULD BE CHECKED REGULARLY FOR FATIGUE, DAMAGE, AND WEAR. DO NOT OPERATE ANY VEHICLE ON UNTESTED CONTROL SYSTEMS!

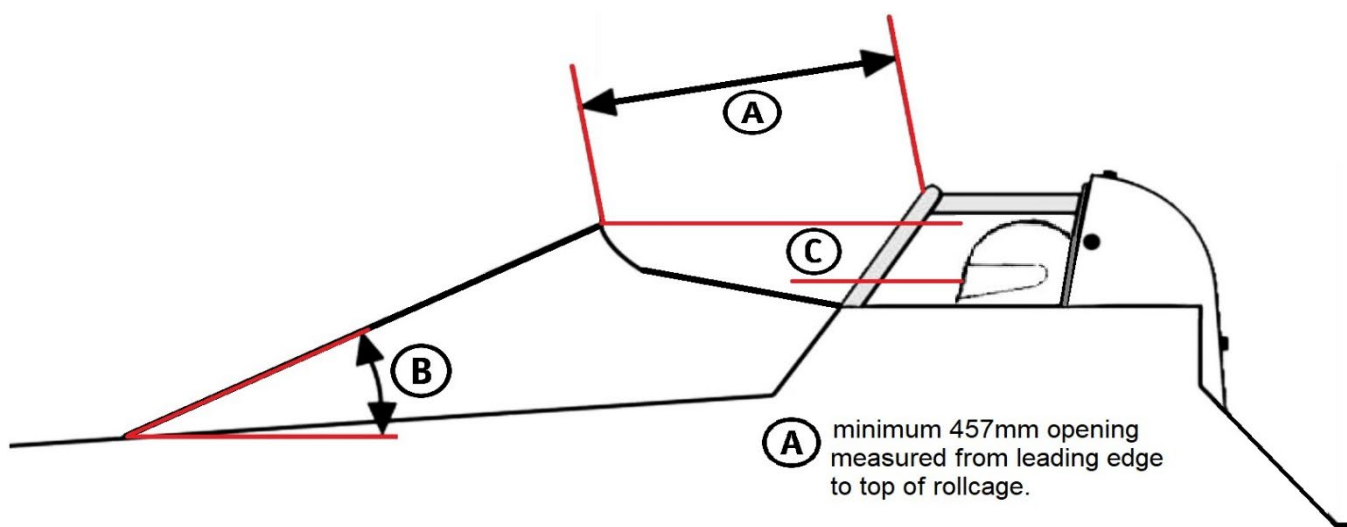
DRAWING / DESSIN 42

Top Fuel Canopy Wicker Bill



DRAWING / DESSIN 43

Top Fuel Dragster - Windscreen



- (A)** minimum 457mm opening measured from leading edge to top of rollcage.
- (B)** 21° minimum angle from horizontal.
- (C)** Drivers eyeline must be minimum 25mm under leading edge of Windscreen

DRAWING / DESSIN 44

Junior Dragster / Junior Funny Car

(tubing dim. according to table 3) - (dim.des tubes selon tableau 3)

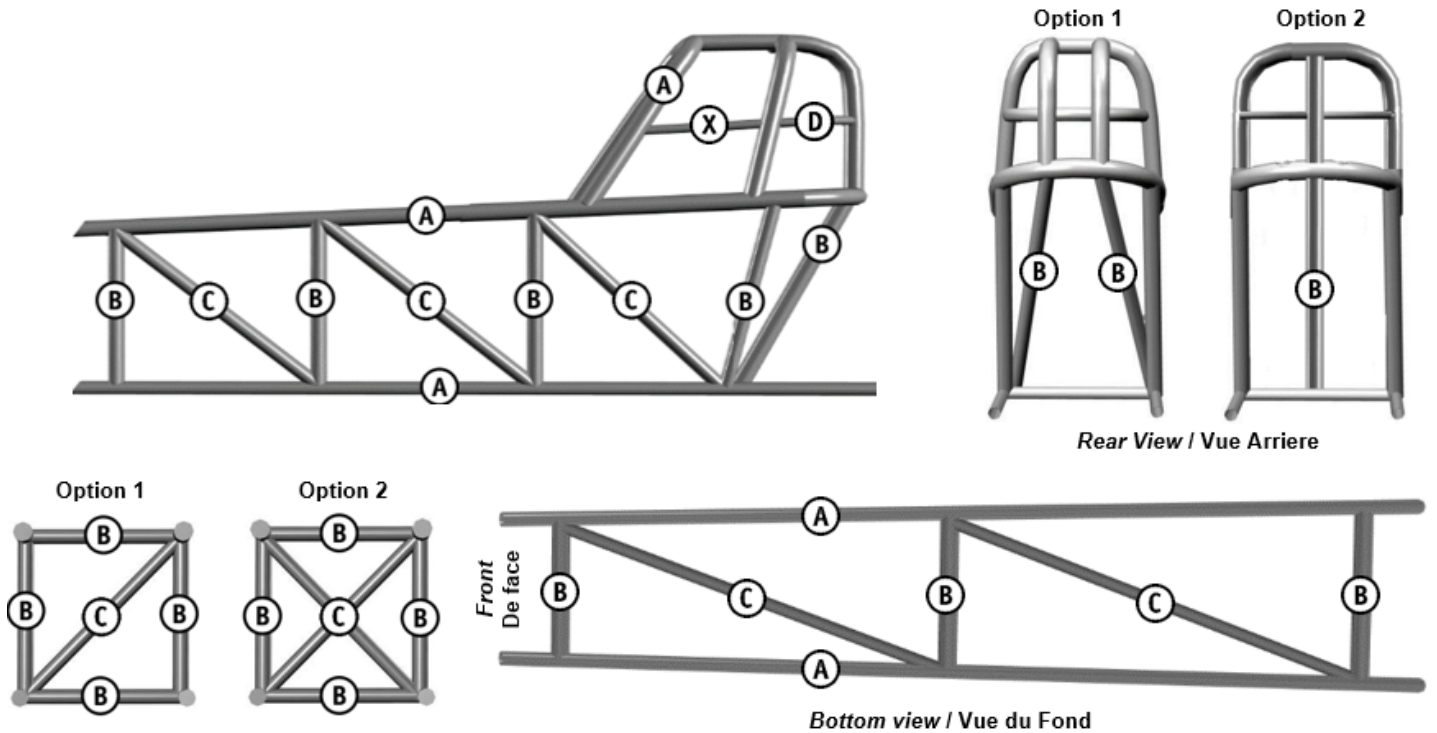
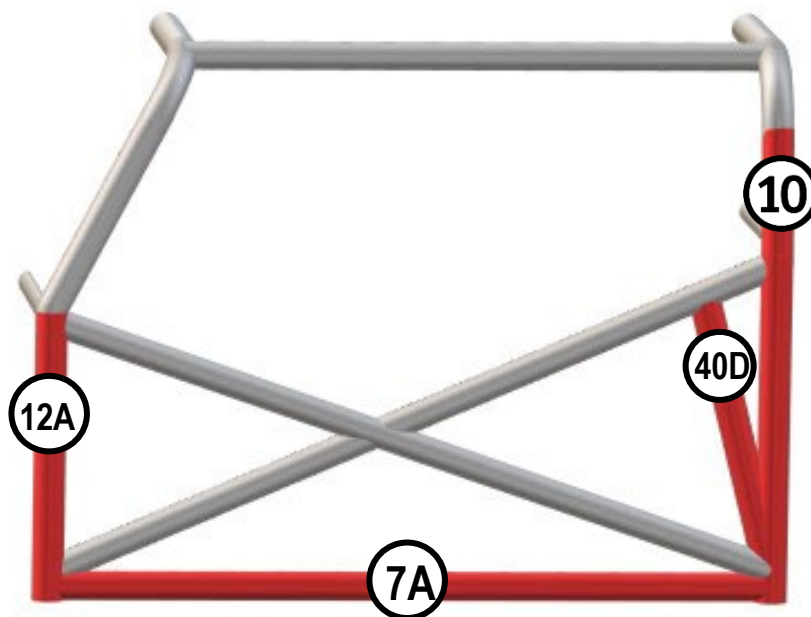


TABLE 3 - TUBING CODE / TABLEAU 3 - CODE DES TUBES

	Outside Diameter Diamètre extérieur	Wall thickness / Epaisseur (Acier doux)	
		CrMo 4130 & Docol R8	Mild Steel / Acier doux
Ⓐ	29mm	1.5mm	2mm
Ⓑ	22mm	1.5mm	2mm
Ⓒ	19mm	1.5mm	2mm
Ⓓ	19mm	1.5mm	2mm
Ⓓ	the use of Flat strap material measuring 2mm x 13mm is also permitted		
ⓧ	additional Helmet bar optional - must meet Ⓓ if installed		
All measurements are minimum requirements.		Toutes les mesures sont des exigences.	

DRAWING / DESSIN 45



Panels must **not** be attached to rocker bar (7A), Windshield/Roof bar (12A), Main Hoop (10) or Driver side Kidney Bar (40D) if applicable.

DRAWING / DESSIN 46

